

AMPULS/AMPOULES



Flat Bottom Drying Ampoules

Intended for use in lyophilizing apparatus.

CATALOG NO.	CAPACITY	QUANTITY / PACK	PRICE
LG-6760-116	50mL	1	\$12.60
LG-6760-118	100mL	1	\$15.13

BELL



Bell Jars

These domed Bell Jars have a rim that has been ground flat for a tight seal.

CATALOG NO.	INSIDE HEIGHT	O.D.	QUANTITY / PACK	PRICE
LG-3010-100	12"	12.5"	1	\$1294.18
LG-3010-200	12"	12.5"	1	\$1696.62
LG-3010-300	12"	12.5"	1	\$1792.02

BUBBLER



Air-Tite Double Gas Bubbler

Made of borosilicate glass, this gas bubbler features a double trap design and is designed for bubble counting. Overall height is 7" with 25mm O.D. bubble chambers. Supplied with 5/16" hose connectors.

CATALOG NO.	HEIGHT	QUANTITY / PACK	PRICE
IG-149-100	7"	1	\$87.29

Air-Tite Horizontal Bubblers



These horizontal bubblers are used for monitoring flow of gaseous reagents into organic reaction systems. Inert gases such as nitrogen or argon can be used. Made of borosilicate glass and supplied with 3/8" hose connections.

CATALOG NO.	JOINT	QUANTITY / PACK	PRICE
IG-147-100	ST 14/20	1	\$207.54
IG-147-102	ST 24/40	1	\$218.19

Air-Tite Mineral Oil Bubbler



This bubbler is used with mineral oil to observe gaseous addition to reactions. It may be used to vent a reaction mixture to the atmosphere. Made of borosilicate glass with 8mm O.D. tubing connections.

CATALOG NO.	QUANTITY / PACK	PRICE
IG-145-100	1	\$54.54



Air-Tite Gas Bubbler

Made of borosilicate glass, this gas bubbler is designed for bubble counting. It is supplied with 5/16" hose connectors.

CATALOG NO.	QUANTITY / PACK	PRICE
IG-148-100	1	\$101.21



Air-Tite Nitrogen Bubbler, Improved

Used with reaction systems featuring Standard Taper outer joints, this borosilicate glass nitrogen bubbler is suitable for distillations or reactions where an inert atmosphere is required. Seal lower inner tube with approximately 10mL mineral oil.

CATALOG NO.	JOINT	QUANTITY / PACK	PRICE
IG-146-100	ST 24/40	1	\$254.17

FUNNELS



Filter Tubes

Consists of a tube with a Standard Taper outer joint at the top plus a side arm with a Standard Taper 2mm pressure/vacuum glass stopcock. The bottom has a Standard Taper inner member of the same size. There is a fritted disc sealed into the tube and a Standard Taper 2mm pressure vacuum glass stopcock sealed between the fritted disc and the inner joint.

CATALOG NO.	LENGTH	DIAMETER	JOINT	POROSITY	QUANTITY / PACK	PRICE
IG-300-100	140mm	20mm	ST 14/20	Coarse	1	\$277.32
IG-300-106	190mm	30mm	ST 24/40	Medium	1	\$293.92



Funnel Filters

Made of borosilicate glass Air-Tite glassware, these funnel filters consist of a top funnel with outer Standard Taper joint plus sidearm with Standard Taper 2mm pressure/vacuum glass stopcock. A sealed-in fritted disc connects to bottom with Standard Taper inner joint of same size and drip tip. A 0-4mm high vacuum PTFE valve is sealed between the fritted disc and bottom joint.

CATALOG NO.	CAPACITY	DISC SIZE	JOINT	QUANTITY / PACK	PRICE
IG-302-100	60mL	30M	ST 14/20	1	\$269.94
IG-302-104	200mL	40M	ST 24/40	1	\$276.98
IG-302-106	200mL	40C	ST 24/40	1	\$276.98



Addition Funnel

Made of borosilicate glass Air-Tite glassware, these addition funnels consist of a funnel with outer Standard Taper joint plus sidearm with Standard Taper 2mm pressure/vacuum glass stopcock. With drip tip and Standard Taper inner joint of same size, bottom of funnel has a 0-4mm high vacuum PTFE valve to avoid contamination.

CATALOG NO.	CAPACITY	JOINT	QUANTITY / PACK	PRICE
IG-304-100	100mL	ST 14/20	1	\$227.40
IG-304-102	250mL	ST 24/40	1	\$239.96

GREASES

Hi-Vac Stopcock Grease

Stiff, non-melting silicone lubricant that maintains consistency from -40 to 260°C. Lubricates and seals. Resistant to water, chemicals, and high and low temperatures.



CATALOG NO.	SIZE	QUANTITY / PACK	PRICE
LG-9602-100	5.3 oz.	1	\$39.50

Lubriseal Grease

Smooth-textured, highly insoluble lubricant for sealing ground joints and glass stopcocks. Resistant over a wide pH range. Melting point is approximately 52°C.



CATALOG NO.	SIZE	QUANTITY / PACK	PRICE
LG-9603-100	75g	1	\$50.61

Phynal Lubricant

Grease used for lubricating ground joints and stopcocks. Insoluble in hydrocarbons but soluble in water. For use up to 50° C.



CATALOG NO.	CAPACITY	QUANTITY / PACK	PRICE
LG-9611-100	1 oz.	1	\$33.39

GREASES

Graphited Silicone Lubricant

Grease used in lubricating ground joints and stopcocks used in high vacuum systems up to 250° C continuously.



CATALOG NO.	CAPACITY	QUANTITY / PACK	PRICE
LG-9612-100	2 oz.	1	\$44.83

GREASES



Fluorinated Grease for Joints and Stopcocks

Superior performance non-contaminating, nonflammable, general purpose grease. Use with joints & stopcocks.

CATALOG NO.	SIZE	QUANTITY / PACK	PRICE
LG-9613-100	2 oz.	1	\$73.14



LVP Grease for Vacuum Systems

Very low vapor pressure, highly inert, nonflammable grease for use in high vacuum systems up to 260°C.

CATALOG NO.	SIZE	QUANTITY / PACK	PRICE
LG-9614-100	2 oz.	1	\$171.35

HOSE CONNECTORS



Serrated Hose Tube Connectors

Serrations are tooled in reverse on one end of tube of hose connectors so that the largest serration is at the end. The borosilicate glass tube is merely to act as a convenient means of holding the serrated portion while it is being sealed to an apparatus. When seal is completed, the tube is cut off and discarded. The diameter given is that of the smallest serration.

CATALOG NO.	DIAMETER	QUANTITY / PACK	PRICE
LG-10842-100	5/16"	1	\$4.80
LG-10842-102	3/8"	1	\$4.42
LG-10842-104	1/2"	1	\$4.76

HOSE CONNECTORS



Air-Tite Hose Connector Adapter

This borosilicate glass adapter is supplied as a connection to LG-11071 and LG-11072 manifolds. Offered with size 15 O-ring joint for connection to heavy wall rubber tubing used with vacuum pumps and traps. Supplied with a LG-1022-530 Viton O-ring.

CATALOG NO.	APPROX OVERALL HEIGHT	HOSE CONNECTION O.D.	QUANTITY / PACK	PRICE
LG-11073-100	50mm	3/8"	1	\$23.65

MANIFOLDS



Double Vacuum Manifold

This borosilicate glass Air-Tite vacuum gas manifold (Schlenk line) is designed with double oblique pressure/vacuum stopcocks with 4mm bores and a 16.2/56 plug size. The stopcocks simplify evacuation or pressurization with an inert atmosphere. Manifold is 1" O.D.

CATALOG NO.	OUTSIDE DIAMETER	STOPCOCK BORE SIZE	QUANTITY / PACK	PRICE
IG-357-100	1"	4 at 4mm	1	\$1326.92

Vacuum Manifolds with PTFE Plugs

Made of borosilicate glass, this general purpose vacuum manifold has 4, 5, or 6 ports each and 4mm PTFE bore plug stopcocks with serrated hose connections. The main tube is 1" O.D. with a serrated hose connection on left or right side for vacuum connection. Spacing between stopcocks is approximately 75mm.



CATALOG NO.	CONNECTION SIDE	NUMBER OF PORTS	APPROXIMATE OVERALL LENGTH	STOPCOCK BORE DIAMETER	QUANTITY / PACK	PRICE
IG-36T-100	Right	4	310mm	4mm	1	\$523.01
IG-36T-104	Right	6	460mm	4mm	1	\$756.20
IG-36T-110	Left	4	310mm	4mm	1	\$523.01
IG-36T-114	Left	6	460mm	4mm	1	\$756.21

Vacuum Manifolds with PTFE Vacuum Valves

Manifold utilizes grease-free PTFE high vacuum valves with two lines entering the valve assembly. User has the option of one line for low vacuum; the other for high vacuum applications. May also utilize an inert gas with another connected to a vacuum source. Contact surface is borosilicate glass and PTFE. Valves are 0-4mm PTFE. Outlets are 9mm O.D. and distance between them is 100mm. Replacement O-Ring Set LG-10284-100.



CATALOG NO.	DESCRIPTION	DEPTH	LENGTH	HEIGHT	QUANTITY / PACK	PRICE
LG-11083-100	3 Places	85mm	300mm	150mm	1	\$712.04
LG-11083-102	5 Places	85mm	500mm	150mm	1	\$965.06

Transfer Manifold

Used for purification and transfer of solvents under inert conditions. Solvents are transferred from a boiling flask directly into an evacuated storage flask then cooled to a low temperature with dry ice or liquid nitrogen.



CATALOG NO.	HEIGHT	JOINT	WIDTH	QUANTITY / PACK	PRICE
IG-204-100	380mm	ST 24/40	140mm	1	\$174.51



Pressure Release Valve

Item incorporates 0-4 mm high vacuum valve and is suited for grease-free operation. Suggested for use between gas source and manifold or related apparatus. PTFE valve is connected to a low pressure gas source then to the apparatus. Approximately 3mL of silicone oil is added to the bubbler which is retained by the ball check valve which prevents oil or air from entering the apparatus.

CATALOG NO.	DEPTH	HEIGHT	HOSE CONNECTOR	WIDTH	QUANTITY / PACK	PRICE
LG-11084-100	100mm	130mm	3/8"	80mm	1	\$178.94

O-RING CONNECTORS



Air-Tite Connecting Adapters with O-Ring

Made of borosilicate glass, these connecting adapters have Standard Taper outer joint on one end for connection to apparatus with inner joint and a size 15 O-ring joint on other end for connection to vacuum manifolds. Supplied with one LG-1022-530 Viton O-ring.

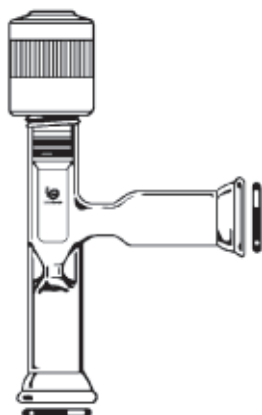
CATALOG NO.	APPROXIMATE OVERALL HEIGHT	JOINT	QUANTITY / PACK	PRICE
LG-11075-100	60mm	ST 14/20	1	\$39.65
LG-11075-102	90mm	ST 24/40	1	\$40.88



Air-Tite Connecting Adapter with O-Ring

Made of borosilicate glass, this connecting adapter has a Standard Taper inner joint on one end for connection to apparatus with outer joint and a size 15 O-ring joint on other end for connection to vacuum manifolds. Supplied with one LG-1022-530 Viton O-ring.

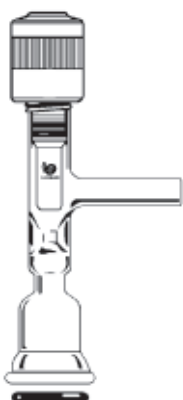
CATALOG NO.	APPROXIMATE OVERALL HEIGHT	JOINT	QUANTITY / PACK	PRICE
LG-11074-100	60mm	ST 14/20	1	\$38.59



Air-Tite Two O-Ring Connecting Adapter with Vacuum Valve

With a right angle configuration, this borosilicate glass connecting adapter features two size 15 O-ring joints below valve stem for completing a seal to vacuum manifold or related apparatus. Supplied with two LG-1022-530 Viton O-rings.

CATALOG NO.	APPROXIMATE OVERALL DIMENSIONS (H x W)	VALVE SIZE	QUANTITY / PACK	PRICE
LG-11079-100	100 x 60mm	0-4mm	1	\$100.83



Air-Tite Connecting/Inlet Adapter with Vacuum Valve

This borosilicate glass adapter has a right angle configuration with a size 15 O-ring joint sealed below valve stem and a side inlet. It is easily connected to vacuum manifolds and supplied with LG-1022-530 Viton® O-ring.

CATALOG NO.	APPROXIMATE OVERALL DIMENSIONS (H x W)	APPROXIMATE SIDEARM O.D.	VALVE SIZE	QUANTITY / PACK	PRICE
LG-11078-100	100 x 58mm	9mm	0-4mm	1	\$108.32



Air-Tite Recovery Flasks with O-Ring Connector

Made of borosilicate glass, this recovery style flask has a size 15 O-ring joint sealed on the opening. Supplied with LG-1022-530 Viton® O-ring.

CATALOG NO.	CAPACITY	QUANTITY / PACK	PRICE
LG-11081-100	10mL	1	\$34.08
LG-11081-102	25mL	1	\$34.08
LG-11081-104	50mL	1	\$34.08
LG-11081-106	100mL	1	\$36.52

STORAGE



Schlenk Vacuum Sample Tubes

These borosilicate glass Schlenk sample tubes incorporate a grease-free high vacuum 0-4mm valve and are suited for pressure/vacuum applications. Ideal for reaction and storage of air-sensitive compounds. Sidearm can be connected to inert atmosphere/vacuum source or a manifold.

NOTE: 25mL model has a round bottom.

CATALOG NO.	CAPACITY	QUANTITY / PACK	PRICE
LG-10800-100	5mL	1	\$164.17
LG-10800-102	25mL	1	\$178.79



Reaction and Storage Tubes

These Air-Tite borosilicate glass Schlenk type tubes are used for reactions and storage of samples under an inert atmosphere. Supplied with a Standard Taper 2mm glass pressure/vacuum stopcock and Standard Taper outer joint.

CATALOG NO.	CAPACITY	JOINT	QUANTITY / PACK	PRICE
IG-150-100	25mL	ST 14/20	1	\$110.07
IG-150-104	25mL	ST 24/40	1	\$113.59
IG-150-112	50mL	ST 24/40	1	\$119.61
IG-150-116	100mL	ST 24/40	1	\$121.21



Schlenk Vacuum Sample Tubes with Sidearm

These Schlenk borosilicate glass sample tubes are equipped with a grease-free high vacuum 0-4mm valve and a sidearm with a Standard Taper 14/20 joint. They are suited for high pressure/vacuum applications and are ideal for reaction and storage of air-sensitive compounds.

CATALOG NO.	CAPACITY	TOP JOINT	QUANTITY / PACK	PRICE
LG-10801-100	5mL	ST 14/20	1	\$190.94
LG-10801-102	25mL	ST 14/20	1	\$208.30



Vacuum Hydrolysis Tubes

These borosilicate glass tubes come with a valve plug with plastic knob and are designed for sealed tube reactions. High temperatures can be generated if used with an aluminum block to transfer heat directly to the glass tube. Applications include sample concentration, protein hydrolysis, and freeze drying.

CATALOG NO.	TUBE CAPACITY	TUBE SIZE (O.D. x HEIGHT)	VALVE SIZE	APPROX OVERALL HEIGHT	QUANTITY / PACK	PRICE
LG-10803-100	5mL	10 x 100mm	0-4mm	160mm	1	\$114.57
LG-10803-102	7.5mL	10 x 150mm	0-4mm	210mm	1	\$114.03
LG-10803-104	20mL	19 x 100mm	0-8mm	165mm	1	\$186.33



Kjeldahl Style Reaction/Storage Flasks

Made of borosilicate glass, these Air-Tite reaction/storage flasks are Kjeldahl style, and consist of a Standard Taper outer joint and a Standard Taper 2mm pressure/vacuum stopcock.

CATALOG NO.	CAPACITY	JOINT	QUANTITY / PACK	PRICE
IG-170-098	50mL	ST 14/20	1	\$97.47
IG-170-100	100mL	ST 14/20	1	\$117.59
IG-170-104	100mL	ST 24/40	1	\$119.49
IG-170-108	300mL	ST 24/40	1	\$136.23
IG-170-112	500mL	ST 24/40	1	\$143.90



Round Bottom Storage Flasks

These borosilicate glass round bottom reaction and storage flasks have a single neck with a Standard Taper outer joint and a pressure/vacuum relief valve with a 2mm stopcock.

CATALOG NO.	CAPACITY	JOINT	QUANTITY / PACK	PRICE
IG-180-100	50mL	ST 14/20	1	\$137.21
IG-180-102	50mL	ST 24/40	1	\$146.32
IG-180-104	100mL	ST 14/20	1	\$138.02
IG-180-106	100mL	ST 24/40	1	\$139.99
IG-180-108	250mL	ST 14/20	1	\$140.81
IG-180-110	250mL	ST 24/40	1	\$154.94
IG-180-112	500mL	ST 24/40	1	\$165.15
IG-180-114	1000mL	ST 24/40	1	\$158.65

Round Bottom Two-Neck Storage Flasks

These borosilicate glass round bottom reaction and storage flasks have two necks with Standard Taper outer joints and a pressure/vacuum relief valve with a 2mm stopcock.



CATALOG NO.	CAPACITY	CENTER JOINT	SIDE JOINT	QUANTITY / PACK	PRICE
IG-190-108	100mL	ST 24/40	ST 14/20	1	\$157.98
IG-190-110	100mL	ST 24/40	ST 24/40	1	\$161.30
IG-190-116	250mL	ST 24/40	ST 24/40	1	\$176.31
IG-190-122	500mL	ST 24/40	ST 24/40	1	\$169.66

STORAGE



Pressure Reaction Bottles

Fabricated from selected heavy wall borosilicate glass. Widely used in pressure reaction studies and carry a Pressure Rating of 55 lbs. See LG-3922 for caps and gaskets.

CATALOG NO.	CAPACITY	LENGTH	O.D.	QUANTITY / PACK	PRICE
LG-3921-100	20mL	4 in.	1 in.	1	\$23.90
LG-3921-102	32mL	6 in.	1 in.	1	\$23.12
LG-3921-104	42mL	7.5 in.	1 in.	1	\$29.37
LG-3921-106	120mL	8 in.	1.5 in.	1	\$40.46
LG-3921-108	175mL	8 in.	1.75 in.	1	\$44.16
LG-3921-110	190mL	6 in.	2.25 in.	1	\$51.16
LG-3921-112	250mL	6 in.	2.5 in.	1	\$52.56
LG-3921-114	500mL	7.6 in.	3.25 in.	1	\$139.24
LG-3921-116	1000mL	11.25 in.	3.25 in.	1	\$181.78



Crown Cap and Gasket for LG-3921 Pressure Reaction Bottles

For use with LG-3921 bottles. Apply with ordinary bottle capper. Gasket is multi-layered, cross linked neoprene and will reseal after puncturing with a syringe needle. Metal cap has two holes for cannula or syringe needle.

CATALOG NO.	DESCRIPTION	QUANTITY / PACK	PRICE
LG-3922-100	Gasket and Crown Cap	1	\$2.49
LG-3922-110	Crown Cap Only	1	\$0.64
LG-3922-120	Gasket Only	1	\$2.06



Benchtop Bottle Capper for LG-3921 Pressure Reaction Bottles

Capper is supplied with a crimping cup for 26mm caps (LG-3922). Other sizes are available on request.

CATALOG NO.	DESCRIPTION	QUANTITY / PACK	PRICE
LG-3925-100	Bottle Capper	1	\$153.63

STORAGE



Double Ended Filter Tubes

A double ended filter tube with two side stopcocks which allows filtration followed by crystallization and collection of crystals on opposite side of frit. The standard taper inner joints allow connection to standard round bottom flasks and flasks with standard taper outer joints.

CATALOG NO.	HEIGHT	DIAMETER	CAPACITY	POROSITY	QUANTITY / PACK	PRICE
IG-174-104	240mm	40mm	150mL	Medium	1	\$333.32
IG-174-106	240mm	40mm	150mL	Coarse	1	\$333.32

VACUUM TRAPS



Complete Vacuum Traps with 3/8" Hose Connections

Widely used to protect vacuum pumps from contamination, these borosilicate glass vacuum traps are a one piece unit with two 3/8" hose connectors. Connectors are 180° apart to ease connection of heavy wall rubber tubing used in basic vacuum set-ups. These traps are frequently used with liquid nitrogen Dewars to provide rapid condensation of volatiles.

CATALOG NO.	LENGTH	OUTSIDE DIAMETER	QUANTITY / PACK	PRICE
LG-11013-100	300mm	51mm	1	\$87.58
LG-11013-104	325mm	70mm	1	\$107.46
LG-11013-108	250mm	35mm	1	\$124.07
LG-11013-110	275mm	45mm	1	\$150.95
LG-11013-112	200mm	25mm	1	\$245.03



Complete Vacuum Traps with 5/16" Hose Connections

These borosilicate glass single piece vacuum traps are fabricated with two 5/16" hose connectors sealed to the top of the body - one vertical and one at 45° angle for connection to vacuum source.

CATALOG NO.	LENGTH	O.D.	QUANTITY / PACK	PRICE
LG-11015-102	300mm	38mm	1	\$96.71
LG-11015-106	300mm	51mm	1	\$131.38



Complete Vacuum Traps with 1/4" or 1/2" Hose Connections

These single piece borosilicate glass vacuum traps are designed with two vertical hose connectors which allows for use with a wide variety of Dewar Flasks.

CATALOG NO.	HOSE CONNECTION O.D.	LENGTH	O.D.	QUANTITY / PACK	PRICE
LG-11017-100	1/4"	250mm	60mm	1	\$168.91
LG-11017-102	1/2"	250mm	60mm	1	\$178.27



Two-Piece Vacuum Traps with Straight Top Stem

Made of borosilicate glass, these vacuum traps consist of two pieces with a straight top stem. Both inlet and outlet stems are integral with the stopper. Body and stopper are connected by a full length Standard Taper joint.

CATALOG NO.	DESCRIPTION	LENGTH	OUTSIDE DIAMETER	STEM O.D.	JOINT	QUANTITY / PACK	PRICE
LG-11020-210	Complete Unit	200mm	28mm	10mm	ST 24/40	1	\$98.03
LG-11020-300	Complete Unit	200mm	32mm	10mm	ST 29/42	1	\$77.20
LG-11020-198	Complete Unit	225mm	38mm	13mm	ST 34/45	1	\$39.01
LG-11020-304	Complete Unit	250mm	45mm	16mm	ST 40/50	1	\$90.78
LG-11020-206	Complete Unit	250mm	48mm	20mm	ST 45/50	1	\$80.53
LG-11020-110	Complete Unit	275mm	54mm	25mm	ST 50/50	1	\$239.14
LG-11020-104	Complete Unit	300mm	60mm	30mm	ST 55/50	1	\$150.84
LG-11020-302	Body Only	200mm	28mm		ST 24/40	1	\$82.95
LG-11020-098	Body Only	200mm	32mm		ST 29/42	1	\$88.61
LG-11020-106	Body Only	225mm	38mm		ST 34/45	1	\$188.48
LG-11020-108	Body Only	250mm	45mm		ST 40/50	1	\$200.33
LG-11020-100	Body Only	250mm	48mm		ST 45/50	1	\$117.93
LG-11020-298	Body Only	300mm	60mm		ST 55/50	1	\$57.09
LG-11020-102	Stopper Only			10mm	ST 24/40	1	\$129.55
LG-11020-200	Stopper Only			10mm	ST 29/42	1	\$38.59
LG-11020-202	Stopper Only			13mm	ST 34/45	1	\$53.18
LG-11020-310	Stopper Only			16mm	ST 40/50	1	\$150.43
LG-11020-306	Stopper Only			20mm	ST 45/50	1	\$113.92
LG-11020-204	Stopper Only			30mm	ST 55/50	1	\$66.70



Two-Piece Vacuum Traps with Hose Connection

These borosilicate glass vacuum traps have a Standard Taper joint to ease disassembly and allow cleaning/draining. The sidearm 3/8" hose connectors are 180° apart with a bent top stem and provide an easy connection when using rubber tubing. See LG-11020 for body only.

CATALOG NO.	DESCRIPTION	OUTSIDE DIAMETER	HEIGHT BELOW JOINT	JOINT	STEM O.D.	QUANTITY / PACK	PRICE
LG-11026-106	Complete Unit	32mm	200mm	ST 29/42	10mm	1	\$210.33
LG-11026-100	Complete Unit	38mm	225mm	ST 34/45	13mm	1	\$132.88
LG-11026-104	Complete Unit	45mm	250mm	ST 40/50	16mm	1	\$173.09
LG-11026-102	Complete Unit	48mm	250mm	ST 45/50	20mm	1	\$152.49
LG-11026-310	Complete Unit	54mm	275mm	ST 50/50	25mm	1	\$173.09
LG-11026-304	Complete Unit	60mm	300mm	ST 55/50	30mm	1	\$102.26
LG-11026-308	Stopper Only			ST 29/42	10mm	1	\$133.05
LG-11026-306	Stopper Only			ST 34/45	13mm	1	\$144.26
LG-11026-108	Stopper Only			ST 40/50	16mm	1	\$226.62
LG-11026-300	Stopper Only			ST 45/50	20mm	1	\$95.78
LG-11026-110	Stopper Only			ST 50/50	25mm	1	\$250.80
LG-11026-302	Stopper Only			ST 55/50	30mm	1	\$96.54



Dewar Traps

These borosilicate glass traps are similar to a Dewar flask but with addition of a Standard Taper inner joint at bottom, and an outer joint of the same size and style extending in an upward direction from the side of jacket near the top. The inside diameter of flask is approximately 32mm and the inside height is approximately 120mm.

CATALOG NO.	JOINT	QUANTITY / PACK	PRICE
ML-1825-700	ST 14/20	1	\$190.41
ML-1825-702	ST 19/22	1	\$196.50



Dewar Shape Vacuum Traps

Designed to remove relatively large volumes of solvent, these borosilicate glass vacuum traps can be used with rotary evaporators. Inner cylinder is charged with dry ice/alcohol or liquid nitrogen. Lower reservoir has a PTFE valve to remove condensate.

CATALOG NO.	LOWER RESERVOIR CAPACITY	INNER CHAMBER APPROX I.D. x DEPTH	VALVE SIZE	QUANTITY / PACK	PRICE
LG-11065-094	250mL	59 x 230mm	0-4mm	1	\$473.97
LG-11065-096	500mL	75 x 275mm	0-8mm	1	\$592.45
LG-11065-098	1000mL	95 x 330mm	0-8mm	1	\$638.05
LG-11065-100	2000mL	110 x 325mm	0-8mm	1	\$702.38



Two-Piece Vacuum Traps with Bent Top Stem

These borosilicate glass two-piece vacuum traps come complete with body (LG-11020) and stopper, connected by a full length Standard Taper joint. With one straight and the other bent, both inlet and outlet stems are integral with the stopper.

CATALOG NO.	DESCRIPTION	JOINT	LENGTH	O.D.	STEM O.D.	QUANTITY / PACK	PRICE
LG-11025-100	Complete Trap	ST 29/42	200mm	32mm	10mm	1	\$127.14
LG-11025-102	Complete Trap	ST 34/45	225mm	38mm	13mm	1	\$144.12
LG-11025-104	Complete Trap	ST 40/50	250mm	45mm	16mm	1	\$164.75
LG-11025-106	Complete Trap	ST 45/50	250mm	48mm	20mm	1	\$181.84
LG-11025-108	Complete Trap	ST 50/50	275mm	54mm	25mm	1	\$218.44
LG-11025-110	Complete Trap	ST 55/50	300mm	60mm	30mm	1	\$242.96
LG-11025-300	Stopper Only	ST 29/42			10mm	1	\$83.37
LG-11025-302	Stopper Only	ST 34/45			13mm	1	\$95.78
LG-11025-304	Stopper Only	ST 40/50			16mm	1	\$85.23
LG-11025-306	Stopper Only	ST 45/50			20mm	1	\$116.62
LG-11025-308	Stopper Only	ST 50/50			25mm	1	\$125.36

STOPCOCKS (GLASS JOINTS)



Air-Tite Adapters with Pressure/Vacuum Stopcock and Inner Joint

Made of borosilicate glass, these Air-Tite adapters are used for evacuation and addition of inert gases. They consist of a Standard Taper inner joint on bottom, 2mm glass stopcock, and 5/16" hose connector on top.

CATALOG NO.	JOINT	QUANTITY / PACK	PRICE
IG-20-100	ST 14/20	1	\$91.15
IG-20-104	ST 24/40	1	\$94.27



Air-Tite Adapters with Pressure/Vacuum Stopcock and Outer Joint

Made of borosilicate glass, these Air-Tite adapters are used for evacuation and addition of inert gases. They consist of a Standard Taper outer joint on bottom, 2mm glass stopcock, and 5/16" hose connector on top.

CATALOG NO.	JOINT	QUANTITY / PACK	PRICE
IG-10-100	ST 14/20	1	\$128.66
IG-10-104	ST 24/40	1	\$113.58

Air-Tite Adapters with Vacuum Valve

These borosilicate glass adapters are equipped with vacuum valve for closing joints yet allowing for reconnection to other equipment with minimum exposure to air and vapors. The PTFE valve minimizes contamination and maintains a vacuum in the micron region. Standard Taper upper outer and bottom inner are same size.



CATALOG NO.	JOINT	QUANTITY / PACK	PRICE
IG-202-100	ST 14/20	1	\$183.21
IG-202-102	ST 19/22	1	\$174.09
IG-202-104	ST 24/40	1	\$188.66

STOPCOCKS (NO GLASS JOINTS)

Oblique Bore Hollow Stopcocks

LG-10090 has a hollow plug with an oblique bore to connect the two stems, and a single hole 90° from the lower duct opening. This hole is used to connect the lower stem and chamber to evacuate the latter.



CATALOG NO.	DIAMETER OF PLUG AT CENTER	LENGTH OF BARREL	STOPCOCK BORE DIAMETER	STEM O.D.	QUANTITY / PACK	PRICE
LG-10090-104	20mm	52mm	6mm	12mm	1	\$219.30
LG-10090-108	30mm	75mm	10mm	16mm	1	\$297.34

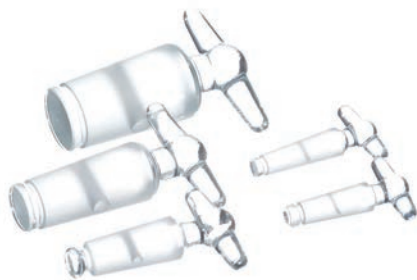
Straight Bore Stopcocks with Threaded Plug

The assembly consists of a glass barrel, a solid glass plug threaded at the small end, a PTFE washer, a Viton® O-ring and a PTFE nut. The washer is placed on the plug first, then the O-ring, then the nut. This assembly allows a uniform seating tension to be maintained on the glass plug when the PTFE nut is tightened. Can be used for either pressure or vacuum applications.



CATALOG NO.	DIAMETER OF PLUG AT CENTER	LENGTH OF BARREL	STOPCOCK BORE DIAMETER	STEM O.D.	QUANTITY / PACK	PRICE
LG-10184-100	12mm	30mm	2mm	8mm	1	\$76.65
LG-10184-102	17mm	40mm	4mm	10mm	1	\$104.80
LG-10184-104	20mm	44mm	6mm	12mm	1	\$129.52
LG-10184-106	25mm	52mm	8mm	16mm	1	\$146.76
LG-10184-108	35mm	56mm	10mm	16mm	1	\$193.35

Straight Bore Stopcocks with Glass Plug



These borosilicate glass straight bore stopcocks with straight sidearms include stopcock plugs and barrels that are ground to interchangeable Standard Taper specifications. Plugs (also sold separately) are solid and have a 1:10 taper.

CATALOG NO.	DESCRIPTION	BARREL LENGTH	CENTER PLUG DIAMETER	SIDEARM O.D.	STOPCOCK BORE SIZE	QUANTITY / PACK	PRICE
LG-9600-100	Complete Stopcock	30mm	12mm	8mm	ST 1mm	1	\$51.82
LG-9600-102	Complete Stopcock	30mm	12mm	8mm	ST 2mm	1	\$45.76
LG-9600-104	Complete Stopcock	38mm	12mm	8mm	ST 2mm	1	\$64.26
LG-9600-106	Complete Stopcock	40mm	17mm	10mm	ST 3mm	1	\$60.70
LG-9600-108	Complete Stopcock	40mm	17mm	10mm	ST 4mm	1	\$56.20
LG-9600-110	Complete Stopcock	44mm	20mm	12mm	ST 5mm	1	\$64.38
LG-9600-112	Complete Stopcock	44mm	20mm	12mm	ST 6mm	1	\$69.86
LG-9600-114	Complete Stopcock	52mm	25mm	16mm	ST 8mm	1	\$111.21
LG-9600-116	Complete Stopcock	56mm	35mm	16mm	ST 10mm	1	\$140.36
LG-9600-118	Complete Stopcock	56mm	35mm	25mm	ST 15mm	1	\$267.18
LG-9601-104	Plug Only	30mm	12mm		ST 1mm	1	\$26.77
LG-9601-106	Plug Only	30mm	12mm		ST 2mm	1	\$25.69
LG-9601-108	Plug Only	38mm	12mm		ST 2mm	1	\$25.84
LG-9601-110	Plug Only	40mm	17mm		ST 3mm	1	\$26.77
LG-9601-114	Plug Only	44mm	20mm		ST 5mm	1	\$36.92
LG-9601-118	Plug Only	52mm	25mm		ST 8mm	1	\$75.52
LG-9601-120	Plug Only	56mm	35mm		ST 10mm	1	\$89.12
LG-9601-122	Plug Only	56mm	35mm		ST 15mm	1	\$133.26

Plugs for Straight Bore HiVac Stopcocks

Solid glass plug with a single straight bore.



CATALOG NO.	DIAMETER OF PLUG AT CENTER	LENGTH OF BARREL	STOPCOCK BORE DIAMETER	STEM O.D.	QUANTITY / PACK	PRICE
LG-9940-100	12mm	38mm	2mm	8mm	1	\$61.92
LG-9940-106	17mm	44mm	4mm	10mm	1	\$75.16
LG-9940-108	20mm	44mm	6mm	12mm	1	\$100.53

Plugs for Single Oblique Bore HiVac Stopcocks

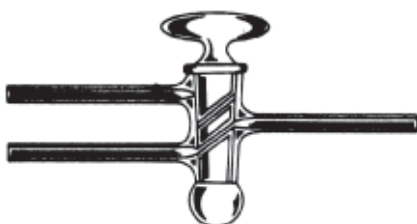
The body of the glass plug is hollow except for a single oblique duct.



CATALOG NO.	DIAMETER OF PLUG AT CENTER	LENGTH OF BARREL	STOPCOCK BORE DIAMETER	STEM O.D.	QUANTITY / PACK	PRICE
LG-9961-200	12.6mm	40mm	2mm	8mm	1	\$134.87
LG-9961-204	17.35mm	50mm	4mm	10mm	1	\$123.50

Double Oblique Hollow Bore Stopcocks

Two stems on one side of barrel, a third stem on the opposite side and two oblique bores in the hollow glass plug.



CATALOG NO.	PLUG SIZE	LENGTH OF BARREL	STEM O.D.	DIAMETER OF PLUG AT CENTER	QUANTITY / PACK	PRICE
LG-10110-100	2mm	50mm	8mm	14.5mm	1	\$174.76
LG-10110-102	4mm	56mm	10mm	16.2mm	1	\$209.61

STOPCOCKS (NO GLASS JOINTS)

Double Oblique Solid Bore Stopcocks

Assembly consists of a solid glass barrel, three way double oblique solid glass plug, PTFE locking washer, Viton O ring and PTFE nut.



CATALOG NO.	PLUG SIZE	LENGTH OF BARREL	STEM O.D.	DIAMETER OF PLUG AT CENTER	QUANTITY / PACK	PRICE
LG-10186-100	2mm	50mm	8mm	14.5mm	1	\$115.95
LG-10186-102	4mm	56mm	10mm	16.2mm	1	\$128.97

STOPCOCKS (NO GLASS JOINTS)

T-Shaped T-Bore Stopcocks

Three stems sealed 90° apart to form a T; threaded glass plug which consists of a PTFE washer, Viton O-ring and a PTFE nut. Can be used for either pressure or vacuum applications.



CATALOG NO.	DESCRIPTION	BORE SIZE	LENGTH OF BARREL	STEM O.D.	DIAMETER OF PLUG AT CENTER	QUANTITY / PACK	PRICE
LG-10214-100	T-Shaped	2mm	40mm	8mm	17mm	1	\$150.57
LG-10214-102	T-Shaped	4mm	44mm	10mm	20mm	1	\$167.73
LG-10214-104	T-Shaped	6mm	52mm	12mm	25mm	1	\$218.07



Replacement Parts for HiVac Valves

Designed with a three-way configuration that can be used when manufacturing manifolds and adapters, the valves feature precision-formed tapered valve seats and tooled external threads. The design of the cap and the valve stem provide a non-rotating primary seal.

The valve stems are completely interchangeable between valves of the same bore size.

CATALOG NO.	DESCRIPTION	BORE RANGE	QUANTITY / PACK	PRICE
LG-10290-110	Plug Assembly	0-4mm	1	\$45.18
LG-10290-112	Plug Assembly	0-8mm	1	\$63.23
LG-10290-114	Plug Assembly	0-12mm	1	\$85.57
LG-10290-100	Viton O-Ring Set	0-4mm	1	\$2.70
LG-10290-102	Viton O-Ring Set	0-8mm	1	\$4.49
LG-10290-104	Viton O-Ring Set	0-12mm	1	\$6.81

HiVac Valve Straight PTFE Plugs

The barrel of the valve has two side arms attached at 180° to each other and on the same plane. The design of the cap and the valve stem provide a non-rotating primary seal.



CATALOG NO.	DESCRIPTION	STOPCOCK BORE DIAMETER	SIDEARM O.D.	SIDEARM WALL	QUANTITY / PACK	PRICE
LG-10282-100	Complete	0-4mm	9mm	1.5mm	1	\$91.90
LG-10282-102	Complete	0-8mm	13mm	1.6mm	1	\$145.90
LG-10282-104	Complete	0-12mm	16mm	1.6mm	1	\$173.76

HiVac Valve Right Angle PTFE Plugs

The barrel of the valve has two side arms attached at 90° to each other and on the same plane. The design of the cap and the valve stem provide a non-rotating primary seal.



CATALOG NO.	DESCRIPTION	STOPCOCK BORE DIAMETER	SIDEARM O.D.	SIDEARM WALL	QUANTITY / PACK	PRICE
LG-10283-100	Complete	0-4mm	9mm	1.5mm	1	\$91.00
LG-10283-102	Complete	0-8mm	13mm	1.6mm	1	\$142.72
LG-10283-104	Complete	0-12mm	16mm	1.6mm	1	\$143.89



Replacement Parts for LG-10282 and 10283

These replacement parts are for use with high vacuum, PTFE stopcocks (LG-10282 and LG-10283). Viton® O-Rings Sets and Plug Assembly sets are available in three different sizes.

CATALOG NO.	DESCRIPTION	STOPCOCK BORE SIZE	QUANTITY / PACK	PRICE
LG-10284-100	Replacement O-Ring Set	0 - 4mm PTFE	1	\$5.98
LG-10284-102	Replacement O-Ring Set	0 - 8mm PTFE	1	\$5.59
LG-10284-104	Replacement O-Ring Set	0 - 12mm PTFE	1	\$7.05
LG-10284-110	Replacement PTFE Plug Assembly Set	0 - 4mm PTFE	1	\$25.96
LG-10284-112	Replacement PTFE Plug Assembly Set	0 - 8mm PTFE	1	\$41.77
LG-10284-114	Replacement PTFE Plug Assembly Set	0 - 12mm PTFE	1	\$48.81

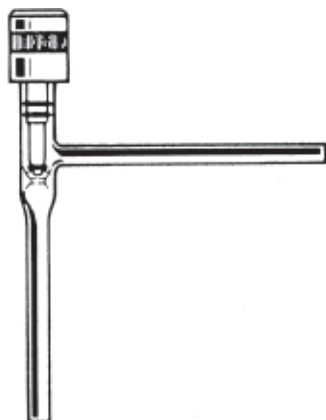
HiVac Valves with Straight PTFE Plug



These high vacuum valves have a barrel with two side arms attached at a 180° angle to each other and on the same plane. The borosilicate glass valve body features a precision-formed tapered valve seat and a precision tooled external thread. The design of cap (made of Delrin®) and valve stem provides a non-rotating primary seal. Interchangeable between valves of the same bore size, valve plugs have two PTFE seal rings that enclose Viton® O-rings. This prevents exposure of the O-rings to corrosive gases and liquids. An additional Viton® O-ring behind the PTFE seal rings ensures the vacuum seal. The tip of the valve plug has a machined O-ring shape and makes the primary seal to the barrel valve seat.

CATALOG NO.	SIDEARM O.D.	SIDEARM WALL	STOPCOCK BORE SIZE	QUANTITY / PACK	PRICE
LG-10285-100	9mm	1.5mm	0 - 4mm PTFE	1	\$105.41
LG-10285-102	13mm	1.6mm	0 - 8mm PTFE	1	\$160.23
LG-10285-104	16mm	1.6mm	0 - 12mm PTFE	1	\$171.14

HiVac Valves with Right Angle PTFE Plug



The barrel of the valve has two side arms attached at a 90° angle to each other. An additional Viton O-ring behind the PTFE seal rings ensures the vacuum seal.

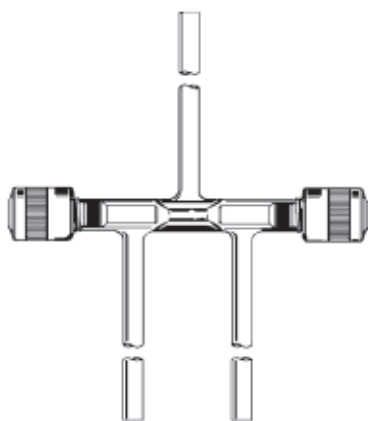
CATALOG NO.	DESCRIPTION	BORE RANGE	SIDEARM O.D.	SIDEARM WALL	QUANTITY / PACK	PRICE
LG-10286-100	Complete	0-4mm	9mm	1.5mm	1	\$89.83
LG-10286-102	Complete	0-8mm	13mm	1.6mm	1	\$117.65
LG-10286-104	Complete	0-12mm	16mm	1.6mm	1	\$136.89



HiVac Valves with Low Hold PTFE Plug

High vacuum valve with a three-way configuration that can be used in the manufacturing of manifolds, adapters, etc. An additional Viton O-ring behind the PTFE seal rings ensures the vacuum seal.

CATALOG NO.	DESCRIPTION	BORE RANGE	SIDEARM O.D.	SIDEARM WALL	QUANTITY / PACK	PRICE
LG-10288-100	Complete	0-4mm	9mm	1.5mm	1	\$115.83
LG-10288-102	Complete	0-8mm	13mm	1.6mm	1	\$188.09
LG-10288-104	Complete	0-12mm	16mm	1.6mm	1	\$166.46



3-Way HiVac Valves with PTFE Plug

High vacuum valve with a three-way configuration that can be used in the manufacturing of manifolds, adapters, etc. An additional Viton O-ring behind the PTFE seal rings ensures the vacuum seal.

CATALOG NO.	DESCRIPTION	BORE RANGE	SIDEARM O.D.	SIDEARM WALL	QUANTITY / PACK	PRICE
LG-10289-100	Complete	0-4mm	9mm	1.5mm	1	\$214.38
LG-10289-102	Complete	0-8mm	13mm	1.6mm	1	\$270.09

Stopcocks and Plugs

Plugs are PTFE and have a 1:5 taper.



CATALOG NO.	DESCRIPTION	DIAMETER OF PLUG AT CENTER	LENGTH OF BARREL	STOPCOCK BORE DIAMETER	STEM O.D.	QUANTITY / PACK	PRICE
LG-9605T-104	Complete	11mm	25mm	2mm	8mm	1	\$47.41
LG-9605T-106	Complete	15.2mm	30mm	3mm	10mm	1	\$75.29
LG-9605T-108	Complete	15.2mm	30mm	4mm	10mm	1	\$74.65
LG-9605T-112	Complete	16mm	35mm	6mm	12mm	1	\$89.50
LG-9605T-114	Complete	24mm	40mm	8mm	10mm	1	\$178.92
LG-9605T-116	Complete	24mm	40mm	10mm	16mm	1	\$193.75
LG-9607T-100	Plug Only	11mm	25mm	1mm		1	\$19.45
LG-9607T-102	Plug Only	11mm	25mm	1.5mm		1	\$33.01
LG-9607T-104	Plug Only	11mm	25mm	2mm		1	\$19.26
LG-9607T-106	Plug Only	15.2mm	30mm	3mm		1	\$25.46
LG-9607T-108	Plug Only	15.2mm	30mm	4mm		1	\$22.51
LG-9607T-110	Plug Only	16mm	35mm	5mm		1	\$31.84
LG-9607T-112	Plug Only	16mm	35mm	6mm		1	\$32.85
LG-9607T-114	Plug Only	24mm	40mm	8mm		1	\$112.57
LG-9607T-116	Plug Only	24mm	40mm	10mm		1	\$120.64

Stopcocks with Metering Valve

Straight 1:5 taper PTFE stopcock with a threaded needle valve that extends through the bore of the plug; it can be used as a valve within the stopcock to control flow while using the stopcock for on-off control.

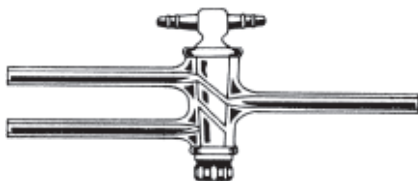
LG-9609 is a replacement washer and O-ring set for LG-9606T and includes one PTFE washer and the two required O-rings.



CATALOG NO.	DESCRIPTION	DIAMETER OF PLUG AT CENTER	LENGTH OF BARREL	STOPCOCK BORE DIAMETER	STEM O.D.	QUANTITY / PACK	PRICE
LG-9606T-100	Complete	11mm	25mm	2mm	8mm	1	\$114.43
LG-9606T-102	Complete	15.2mm	30mm	4mm	10mm	1	\$141.35
LG-9608T-102	Plug Only	11mm	25mm	2mm		1	\$76.98
LG-9608T-104	Plug Only	15.2mm	30mm	4mm		1	\$81.11
LG-9609-100	PTFE Washer and O-Ring Set			2mm		1	\$15.91
LG-9609-102	PTFE Washer and O-Ring Set			4mm		1	\$17.51

Double Oblique Stopcocks

Stopcock; PTFE plug with two parallel diagonal (oblique) bores.



CATALOG NO.	DESCRIPTION	BORE SIZE	SIDEARM O.D.	PLUG SIZE	QUANTITY / PACK	PRICE
LG-9665T-102	Complete	2mm	8mm	12.9 x 44mm	1	\$113.73
LG-9665T-104	Complete	3mm	10mm	14.4 x 44mm	1	\$126.69
LG-9665T-106	Complete	4mm	10mm	14.4 x 44mm	1	\$133.02

T-Bore Stopcocks with PTFE Plug

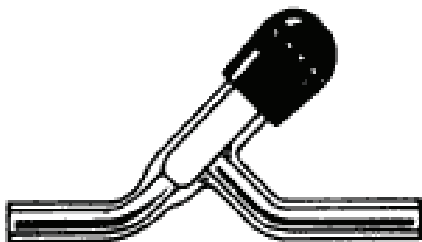
Three stems sealed to barrel 90° apart to form a "T". Includes PTFE plug with T-shaped bore so any two or all three stems can be connected at one time.



CATALOG NO.	DESCRIPTION	BORE SIZE	SIDEARM O.D.	PLUG SIZE	QUANTITY / PACK	PRICE
LG-9685T-100	Complete	2mm	8mm	15.2 x 30mm	1	\$113.42
LG-9685T-102	Complete	4mm	10mm	16 x 35mm	1	\$134.56

180 Degree Rotaflo Stopcocks

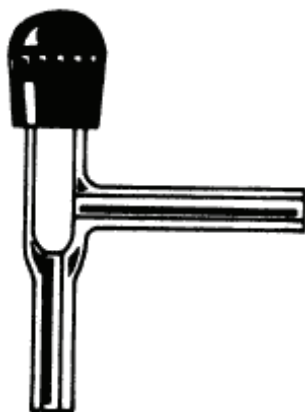
An all-purpose stopcock that can be used for routine or high vacuum applications. Only borosilicate glass and PTFE contact the sample. Will handle liquids or gases at system temperatures of -20 to 200° C.



CATALOG NO.	BORE RANGE	STEM O.D.	QUANTITY / PACK	PRICE
LG-10240-100	0-3mm	8mm	1	\$110.09
LG-10240-102	0-6mm	10mm	1	\$145.65
LG-10240-104	0-10mm	13mm	1	\$173.55

90 Degree Rotaflo Stopcocks

Contact surfaces are PTFE and borosilicate glass. Designed for routine and high vacuum use. Stems are in the same plane but positioned at right angles to each other. Can be used at temperatures from -20 to 200° C.



CATALOG NO.	BORE RANGE	STEM O.D.	QUANTITY / PACK	PRICE
LG-10246-100	0-3mm	8mm	1	\$109.64
LG-10246-102	0-6mm	10mm	1	\$162.02
LG-10246-104	0-10mm	13mm	1	\$172.91

Retainer Clips

Used to keep plug in place with a constant sealing pressure.



CATALOG NO.	DESCRIPTION	BORE RANGE	QUANTITY / PACK	PRICE
LG-9604-100	Clip Size 1	1-2mm	1	\$0.59
LG-9604-104	Clip Size 4	4mm	1	\$0.88

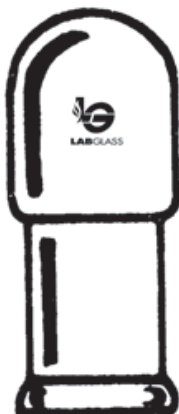
STOPPERS



Glass Stopper with Size 15 O-Ring

Size 15 O-ring joint is closed and provides a seal for open ports on the manifold. Stopper can be used as a closure on the in-line filter or similar opening flasks. Supplied with one LG-1022-530 Viton® O-ring.

CATALOG NO.	OVERALL HEIGHT	O-RING SIZE	QUANTITY / PACK	PRICE
LG-11082-100	25mm	15	1	\$23.49



Evacuate Plus Storage Cover, Outer Joint

Cap style used to seal apparatus with a Standard Taper inner joint. Useful in storing reaction products.

CATALOG NO.	JOINT	QUANTITY / PACK	PRICE
IG-30-104	ST 24/40	1	\$35.25



Evacuate Plus Storage Stoppers, Inner Joint

Stopper type for sealing flasks or reaction tubes with a Standard Taper outer joint.

CATALOG NO.	JOINT	QUANTITY / PACK	PRICE
IG-40-100	ST 14/20	1	\$25.90
IG-40-104	ST 24/40	1	\$35.88



Cylindrical Head Stoppers

Outer member stoppers.

CATALOG NO.	JOINT	QUANTITY / PACK	PRICE
LG-10370-100	ST 14/20	1	\$23.84
LG-10370-102	ST 19/22	1	\$25.83
LG-10370-104	ST 24/40	1	\$31.79
LG-10370-106	ST 29/42	1	\$43.31



Flathead Stoppers

Designed to permit stopper to be inverted and placed upon lab bench without contamination of ground surface.

CATALOG NO.	JOINT	QUANTITY / PACK	PRICE
LG-10305-112	ST 24/40	1	\$41.45
LG-10305-114	ST 29/42	1	\$42.07



Hex Head Stoppers

The hexagonal feature prevents the stopper from rolling when placed on its side. The flat head allows the stopper to be stood on end thus preventing contamination of the ground surface.

CATALOG NO.	JOINT	QUANTITY / PACK	PRICE
LG-10312-108	ST 14/20	1	\$34.54
LG-10312-110	ST 19/22	1	\$36.11
LG-10312-112	ST 24/25	1	\$43.01
LG-10312-114	ST 29/26	1	\$40.21
LG-10315-112	ST 24/40	1	\$44.12
LG-10315-114	ST 29/42	1	\$49.90



Glass Stopper for Iodine Flasks

This closed bottom glass stopper is designed to be used with iodine flasks.

CATALOG NO.	JOINT	QUANTITY / PACK	PRICE
LG-10350-100	ST 24/40	1	\$38.68



Hollow Penny Head Full Length Stoppers

Precision ground penny head stopper with closed bottom.

CATALOG NO.	JOINT	QUANTITY / PACK	PRICE
LG-10300-104	ST 10/30	1	\$19.78
LG-10300-106	ST 12/30	1	\$19.49
LG-10300-110	ST 19/38	1	\$24.18
LG-10300-112	ST 24/40	1	\$23.66
LG-10300-114	ST 29/42	1	\$29.96
LG-10300-116	ST 34/45	1	\$43.61
LG-10300-120	ST 45/50	1	\$54.01
LG-10300-124	ST 55/50	1	\$81.42



Hollow Penny Head Medium Length Stoppers

Precision ground penny head stopper with closed bottom.

CATALOG NO.	JOINT	QUANTITY / PACK	PRICE
LG-10310-108	ST 14/20	1	\$19.17
LG-10310-110	ST 19/22	1	\$23.99
LG-10310-112	ST 24/25	1	\$29.15
LG-10310-114	ST 29/26	1	\$29.95



Solid Penny Head Medium Length Stoppers

Medium length solid glass penny head stoppers.

CATALOG NO.	JOINT	QUANTITY / PACK	PRICE
ML-1790-700	ST 7/12	1	\$31.84
ML-1790-702	ST 10/18	1	\$31.84
ML-1790-704	ST 14/20	1	\$19.38
ML-1790-706	ST 19/22	1	\$21.75



Solid Penny Head Stoppers

Product is used extensively with volumetric flasks and separator funnels.

CATALOG NO.	STOPPER NUMBER	QUANTITY / PACK	PRICE
LG-10320-100	ST 9	1	\$8.49
LG-10320-102	ST 13	1	\$8.72
LG-10320-104	ST 16	1	\$10.47
LG-10320-106	ST 19	1	\$12.51
LG-10320-108	ST 22	1	\$13.24
LG-10320-110	ST 27	1	\$17.15
LG-10320-112	ST 32	1	\$23.79
LG-10320-114	ST 38	1	\$32.09



Flexible PTFE Adapters with Standard Taper Joint

These flexible PTFE connectors relieve stress and allow for movement of glass joint connection and mis-alignment. Top and bottom Standard Taper joint connections are same size.

CATALOG NO.	HEIGHT	JOINT	QUANTITY / PACK	PRICE
LG-1014T-200	115mm	ST 14/20	1	\$76.34
LG-1014T-202	90mm	ST 19/22	1	\$79.98
LG-1014T-204	120mm	ST 19/38	1	\$82.89
LG-1014T-206	130mm	ST 24/40	1	\$103.53
LG-1014T-208	140mm	ST 29/42	1	\$108.77
LG-1014T-210	145mm	ST 34/45	1	\$139.40
LG-1014T-212	155mm	ST 45/50	1	\$192.58

Solid PTFE Stoppers



Stoppers have vertical head with straight edges.

CATALOG NO.	JOINT	QUANTITY / PACK	PRICE
LG-10308-104	ST 10/18	1	\$29.85
LG-10308-108	ST 14/20	1	\$35.60
LG-10308-110	ST 19/22	1	\$33.83
LG-10307-112	ST 24/40	1	\$49.59
LG-10308-114	ST 29/26	1	\$30.59
LG-10307-114	ST 29/42	1	\$63.96
LG-10307-116	ST 34/45	1	\$107.36

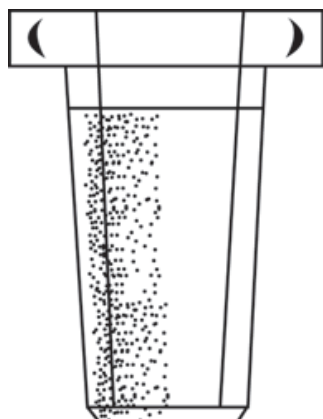
Solid PTFE Grooved Stoppers



Stoppers have vertical head with straight edges. PTFE avoids freezing in ground zone and is used with volumetric flasks and separator funnels.

CATALOG NO.	STOPPER NUMBER	QUANTITY / PACK	PRICE
LG-10322-100	ST 9	1	\$20.90
LG-10322-102	ST 13	1	\$25.57
LG-10322-104	ST 16	1	\$28.91
LG-10322-106	ST 19	1	\$29.96
LG-10322-108	ST 22	1	\$33.28
LG-10322-110	ST 27	1	\$49.49
LG-10322-114	ST 38	1	\$90.49

PTFE Bushing Style Reducing Full Length Adapters



Provides compact assemblies. The larger size is on the outside of bushing while the smaller dimension is within the bore of bushing, except machined from PTFE and used where lubricant should be avoided.

CATALOG NO.	JOINT	QUANTITY / PACK	PRICE
LG-1245T-100	ST 24/40 Outer, ST 19/38 Inner	1	\$40.36
LG-1245T-102	ST 29/42 Outer, ST 24/40 Inner	1	\$40.36
LG-1245T-106	ST 45/50 Outer, ST 34/45 Inner	1	\$81.94



Safe-Lab Stopper

Stopper with thumb screw nut at top that allows easy removal of stoppers when frozen in place. 14/20 and 19/22 sizes are solid, all others are hollow.

CATALOG NO.	JOINT	QUANTITY / PACK	PRICE
LG-10313-104	ST 24/40	1	\$123.93