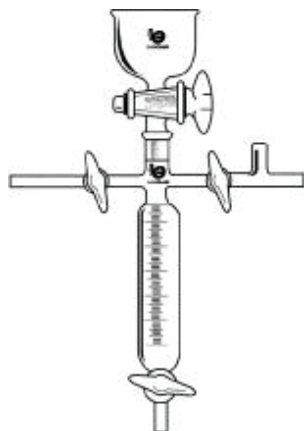


## AMMONIA DISSOCIATION



### Ammonia Dissociation Buret

Graduated from 10 to 90% in 1% subdivisions, this borosilicate glass buret is used to determine the degree of dissociation of ammonia during the nitriding of steel alloys. Buret is 100mL and reads the amount of ammonia absorbed. Stopcocks are glass and a Standard Taper 14/20 joint connects the filling funnel with the buret.

CATALOG NO.	CAPACITY	QUANTITY / PACK	PRICE
LG-4150-100	100mL	1	\$574.38

## AUTOMATIC BURETS



### Automatic Pinchcock Burettes

Made of borosilicate glass, these inexpensive portable methods of titration are filled by pressure through a tube extending from the bottle up inside the graduated tube. A small hole in the filling tube at the zero line permits settling of the liquid level and return of the excess to the bottle. Furnished complete with buret, bottle, vent tube (LG-4230-130), pinchcock clamp (LG-4647-100), bulb (LG-4340-100), and rubber stopper\*.

\*NOTE: Supplied with #9 Rubber stopper (LG-10392-126) for 10mL, and #10-1/2 rubber stopper (LG-10392-130) for 25 & 50mL.

CATALOG NO.	DESCRIPTION	CAPACITY	BOTTLE CAPACITY	SUBDIVISION	QUANTITY / PACK	PRICE
LG-4230-100	Complete Automatic Pinchcock Buret	10mL	16oz	1/10mL	1	\$166.04
LG-4230-102	Complete Automatic Pinchcock Buret	25mL	32oz	1/10mL	1	\$208.27
LG-4230-104	Complete Automatic Pinchcock Buret	50mL	32oz	1/10mL	1	\$228.25
LG-4230-110	Buret	10mL		1/10mL	1	\$139.18
LG-4230-112	Buret	25mL		1/10mL	1	\$161.88
LG-4230-114	Buret	50mL		1/10mL	1	\$185.95
LG-4230-120	Bottle	16oz	16oz		1	\$21.87
LG-4230-124	Bottle	50mL	32oz	1/10mL	1	\$27.79



## Laboratory Grade Automatic Burettes

This inexpensive portable titration set features a 2mm straight bore stopcock. The borosilicate glass buret is filled by pressure through a tube extending from the bottle up inside the graduated tube. A small hole in the filling tube at the "O" line permits setting of the liquid level and return of the excess to the bottle. Complete Set furnished with buret, bottle (LG-4230-120 or LG4230-124), rubber hose, rubber stopper (LG-10392-126 or LG-10392-130), and rubber bulb (LG-4340-100).

Accessories: Vent Tube (LG-4230-130)

CATALOG NO.	DESCRIPTION	BOTTLE CAPACITY	CAPACITY	SUBDIVISION	QUANTITY / PACK	PRICE
LG-4240-100	Complete Titration Set	16oz.	10mL	0.1mL	1	\$235.49
LG-4240-102	Complete Titration Set	16oz.	25mL	0.1mL	1	\$235.07
LG-4240-104	Complete Titration Set	32oz.	50mL	0.1mL	1	\$256.34
LG-4240-110	Buret Only		10mL	0.1mL	1	\$186.88
LG-4240-112	Buret Only		25mL	0.1mL	1	\$211.02
LG-4240-114	Buret Only		50mL	0.1mL	1	\$233.92



## Laboratory Grade Automatic Burettes with PTFE Plug

This inexpensive portable titration set features a 2mm straight stopcock with PTFE plug. The borosilicate glass buret is filled by pressure supplied by the rubber bulb. A small hole in the filling tube at the "O" line permits setting of the liquid level and excess titrant is returned to the bottle. Complete Set furnished with buret, bottle (LG-4230-120 or LG4230-124), rubber hose, rubber stopper (LG-10392-126 or LG-10392-130), and rubber bulb (LG-4340-100).

Accessories: Vent Tube (LG-4230-130)

CATALOG NO.	DESCRIPTION	BOTTLE CAPACITY	CAPACITY	SUBDIVISION	QUANTITY / PACK	PRICE
LG-4241T-100	Complete Titration Set	16oz.	10mL	1/10mL	1	\$245.18
LG-4241T-102	Complete Titration Set	16oz.	25mL	1/10mL	1	\$258.86
LG-4241T-104	Complete Titration Set	32oz.	50mL	1/10mL	1	\$281.67
LG-4241T-110	Buret Only		10mL	1/10mL	1	\$222.99
LG-4241T-112	Buret Only		25mL	1/10mL	1	\$239.09
LG-4241T-114	Buret Only		50mL	1/10mL	1	\$241.94



## Class A Automatic Burettes

Made of borosilicate glass, these automatic burets feature a special three-way, 2mm bore stopcock with PTFE plug through which they may be emptied or filled with provisions for return of overflow liquid to reserve bottle. They are designed with a relief air valve which automatically closes when air pressure is applied above the liquid in the reservoir. Supplied with drying tubes at air inlet and at top vent as well as required rubber components (LG-4340-100). Bottle (LG-3460) sold separately.

CATALOG NO.	DESCRIPTION	CAPACITY	SUBDIVISION	TOLERANCE	BOTTLE CAPACITY	JOINT	QTY / PK	PRICE
LG-4261T-110	Complete Buret Assembly	10mL	1/20mL	±0.02	1000mL	ST 24/40	1	\$622.96
LG-4261T-112	Complete Buret Assembly	25mL	1/10mL	±0.03	1000mL	ST 24/40	1	\$641.11
LG-4261T-114	Complete Buret Assembly	50mL	1/10mL	±0.05	2000mL	ST 29/42	1	\$720.65
LG-4261T-130	Buret	10mL	1/20mL	±0.02		ST 24/40	1	\$531.23
LG-4261T-132	Buret	25mL	1/10mL	±0.03		ST 24/40	1	\$549.53
LG-4261T-134	Buret	50mL	1/10mL	±0.05		ST 29/42	1	\$588.37



## Class A Automatic Burettes with 3 Way Stopcocks

Made of borosilicate glass, these automatic burets feature a special three-way, 2mm bore stopcock with PTFE plug. Standard Taper joints fit into reagent bottles with Standard Taper necks. Supplied with required rubber components (LG-4340-100). Bottle (LG-3460) sold separately.

CATALOG NO.	DESCRIPTION	CAPACITY	SUBDIVISION	TOLERANCE	BOTTLE CAPACITY	JOINT	QTY / PK	PRICE
LG-4271T-112	Complete Buret Assembly	25mL	1/10mL	±0.03	1000mL	ST 24/40	1	\$873.97
LG-4271T-114	Complete Buret Assembly	50mL	1/10mL	±0.05	2000mL	ST 29/42	1	\$963.23
LG-4271T-116	Complete Buret Assembly	100mL	1/5mL	±0.10	4000mL	ST 29/42	1	\$1220.80
LG-3460-104	Bottle				1000mL	ST 24/40	1	\$70.61
LG-3460-106	Bottle				2000mL	ST 29/42	1	\$124.35
LG-3460-108	Bottle				4000mL	ST 29/42	1	\$224.35
LG-4271T-132	Buret	25mL	1/10mL	±0.03			1	\$745.34
LG-4271T-134	Buret	50mL	1/10mL	±0.05			1	\$780.57
LG-4271T-136	Buret	100mL	1/5mL	±0.01			1	\$938.62

## BUNSEN BURETS



### Bunsen Gas Measuring Burettes

Made of borosilicate glass, this buret features a durable colored scale with zero at the closed end of the buret.

CATALOG NO.	CAPACITY	SUBDIVISIONS	VOLUME TOLERANCE	QUANTITY / PACK	PRICE
LG-4038-100	50mL	1/10mL	±0.10mL	1	\$79.90
LG-4038-102	100mL	2/10mL	±0.20mL	1	\$90.91

## FUNNEL TOP BURETS



### Class A Straight Burettes

The top of this Class A buret is funnel shaped to accommodate a rubber stopper and glass tubing to fill from a delivery tip via suction. Made of borosilicate glass with durable colored scale, both sizes have 2mm stopcock with PTFE plug.

CATALOG NO.	CAPACITY	SUBDIVISION	TOLERANCE	QUANTITY / PACK	PRICE
LG-4011T-100	5mL	0.01mL	±0.01mL	1	\$373.38
LG-4011T-102	10mL	0.02mL	±0.02mL	1	\$373.38

## HEMPEL BURETS



### Hempel Gas Buret

Made of borosilicate glass and graduated to 100mL in 2/10mL subdivisions, this buret tube has a straight stem at the top and a bent 90° angle stem at the bottom.

CATALOG NO.	CAPACITY	SUBDIVISIONS	VOLUME TOLERANCE	QUANTITY / PACK	PRICE
LG-8525-100	100mL	2/10mL	±0.20mL	1	\$221.38

## PINCHCOCK BURETS



### Lab Grade Pinchcock Burettes

Made of borosilicate glass with a durable colored scale, these laboratory grade pinchcock burets are sized for connection to a delivery tip with rubber tubing at end. Recommended delivery tip is LG-4050 – sold separately.

CATALOG NO.	CAPACITY	SUBDIVISION	TOLERANCE	QUANTITY / PACK	PRICE
LG-4040-100	25mL	1/10mL	±0.06mL	1	\$53.86
LG-4040-102	50mL	1/10mL	±0.10mL	1	\$59.26
LG-4040-104	100mL	1/5mL	±0.20mL	1	\$97.52

## STRAIGHT BURETS



### Economy Grade Burettes with PTFE Stopcock

Accurately calibrated with durable colored scale for educational use and general laboratory procedures, these economy grade burets consist of three parts - borosilicate glass buret, 2mm PTFE stopcock, and glass tip. Components can be purchased separately under LG-3958.

CATALOG NO.	CAPACITY	SUBDIVISIONS	QUANTITY / PACK	PRICE
LG-3957T-100	25mL	1/10mL	1	\$98.30
LG-3957T-102	50mL	1/10mL	1	\$108.29



### Lab Grade Burettes with PTFE Plug

These borosilicate glass, Class B, laboratory grade burets have a straight stopcock and 2mm PTFE plug. They comply with accuracy and volumetric tolerances set forth by ASTM E 694.

CATALOG NO.	CAPACITY	SUBDIVISIONS	VOLUME TOLERANCE	QUANTITY / PACK	PRICE
LG-3954T-100	10mL	1/20mL	±0.04mL	1	\$151.99
LG-3954T-102	25mL	1/10mL	±0.06mL	1	\$144.27
LG-3954T-104	50mL	1/10mL	±0.1mL	1	\$153.67
LG-3954T-106	100mL	1/5mL	±0.2mL	1	\$169.76



### Lab Grade Straight Burettes

These borosilicate glass burets feature a durable colored scale and have straight stopcocks and glass plugs with 2mm bore size.

CATALOG NO.	CAPACITY	SUBDIVISIONS	VOLUME TOLERANCE	QUANTITY / PACK	PRICE
LG-4070-100	10mL	1/20mL	±0.04mL	1	\$115.59
LG-4070-102	25mL	1/10mL	±0.06mL	1	\$126.38
LG-4070-104	50mL	1/10mL	±0.1mL	1	\$142.91



## Lab Grade Straight Dispensing Burettes with PTFE Plug

These laboratory grade, Class B, borosilicate glass burets are useful for dispensing larger volumes without refilling. The straight stopcock has a PTFE plug.

CATALOG NO.	CAPACITY	SUBDIVISIONS	VOLUME TOLERANCE	STOPCOCK BORE SIZE	QUANTITY / PACK	PRICE
LG-4142T-100	250mL	1mL	±2mL	PTFE 4mm	1	\$259.12
LG-4142T-102	500mL	5mL	±2.5mL	PTFE 4mm	1	\$289.49
LG-4142T-104	1000mL	10mL	±5mL	PTFE 4mm	1	\$341.31
LG-4142T-106	2000mL	20mL	±10mL	PTFE 6mm	1	\$431.19
LG-4142T-108	4000mL	50mL	±50mL	PTFE 8mm	1	\$509.43



## Precision Bore Class A Burettes with PTFE Stopcock

Made of borosilicated glass, these precision type, Class A burets have a straight 2mm PTFE stopcock. Calibration is in compliance with ASTM E 694 specifications.

Reference No. ASTM E 287 Laboratory Glass Graduated Burets

CATALOG NO.	CAPACITY	SUBDIVISIONS	VOLUME TOLERANCE	QUANTITY / PACK	PRICE
LG-3956T-100	10mL	1/20mL	±0.02mL	1	\$175.55
LG-3956T-102	25mL	1/10mL	±0.03mL	1	\$187.38
LG-3956T-104	100mL	1/5mL	±0.10mL	1	\$193.32
LG-3956T-106	50mL	1/10mL	±0.05mL	1	\$244.85



## Precision Bore Class A Burettes with Straight Stopcock

These borosilicate glass precision bore Class A burets feature a durable colored scale and have straight stopcocks with Standard Taper 2mm bore. Comply with accuracy requirement ASTM Specification E-287.

CATALOG NO.	CAPACITY	SUBDIVISIONS	VOLUME TOLERANCE	QUANTITY / PACK	PRICE
LG-3950-100	10mL	1/20mL	±0.02mL	1	\$213.09
LG-3950-102	25mL	1/10mL	±0.03mL	1	\$228.06
LG-3950-104	50mL	1/10mL	±0.05mL	1	\$224.43
LG-3950-106	100mL	1/5mL	±0.10mL	1	\$255.51

## THREE-WAY BURETS

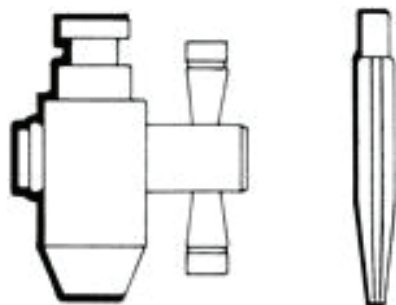


### Lab Grade Auto Burettes

Made of borosilicate glass with a durable colored scale, these laboratory grade automatic burets have zero level at top of overflow tube. Graduations near the top are omitted since diameter in this area varies due to the sealing on of the cup. Three-way stopcock is Standard Taper 2mm with a PTFE plug.

CATALOG NO.	CAPACITY	SUBDIVISION	TOLERANCE	QUANTITY / PACK	PRICE
LG-4122T-102	25mL	1/10mL	±0.06mL	1	\$228.22
LG-4122T-104	50mL	1/10mL	±0.10mL	1	\$228.22

## BURET ACCESSORIES



### Replacement Burettes for LG-3957T Burettes

Made of borosilicate glass, these replacement burets are used with the Economy Grade Buret Assembly with PTFE Stopcock (LG-3957T).

CATALOG NO.	CAPACITY	QUANTITY / PACK	PRICE
LG-3958-100	25mL	1	\$46.46
LG-3958-102	50mL	1	\$51.82





## Replacement Buret Tip for LG-4040 Series Pinchcock Burettes

This replacement buret tip connects to the delivery end of pinchcock buret (LG-4040). It can be used with 25, 50, or 100mL sizes.

CATALOG NO.	QUANTITY / PACK	PRICE
LG-4050-100	1	\$12.58

## Rubber Bulb with Valve



CATALOG NO.	DESCRIPTION	QUANTITY / PACK	PRICE
LG-4340-100	Rubber Bulb with Valve	1	\$19.74