

## DISTILLATION COLUMNS



### Hempel Distilling Columns

These Hempel Columns, made of borosilicate glass, consist of a plain tube with full length inner joint at bottom and outer joint of the same size at top. Column section is enclosed in evacuated jacket. Near bottom there is a row of indentations to support random type packing material.

CATALOG NO.	COLUMN I.D.	JOINT	LENGTH FOR PACKING MATERIAL	QUANTITY / PACK	PRICE
LG-5791-106	12.5mm	ST 24/40	600mm	1	\$415.39
LG-5791-120	19mm	ST 24/40	300mm	1	\$316.48
LG-5791-126	19mm	ST 24/40	600mm	1	\$445.09
LG-5791-146	25mm	ST 29/42	600mm	1	\$484.67



### Distilling Column/Condenser

These borosilicate glass distilling columns come with indentations for random packing support, and water jacket that allows for alternative use as a condenser. They have an outer joint at top and a Standard Taper inner drip tip at bottom.

CATALOG NO.	COLUMN LENGTH	JOINT	QUANTITY / PACK	PRICE
LG-5794-100	100mm	ST 14/20	1	\$90.06
LG-5794-102	200mm	ST 14/20	1	\$90.28
LG-5794-104	100mm	ST 19/22	1	\$92.89
LG-5794-106	200mm	ST 19/22	1	\$93.01
LG-5794-108	200mm	ST 24/40	1	\$108.81



### Honeycomb Distilling Columns

These Hempel Columns, made of borosilicate glass, feature a sealed-in glass honeycomb support for packing and consist of a plain tube with full length inner joint at bottom and outer joint of the same size at top. Near bottom there is a row of indentations to support random type packing material.

CATALOG NO.	COLUMN I.D.	JOINT	LENGTH FOR PACKING MATERIAL	QUANTITY / PACK	PRICE
LG-5820-120	19mm	ST 24/40	300mm	1	\$267.48
LG-5820-126	19mm	ST 24/40	600mm	1	\$276.79
LG-5820-140	25mm	ST 29/42	300mm	1	\$294.40



## Hempel Silvered Distilling Columns with Vacuum Jacket

These Hempel Columns, made of borosilicate glass, are enclosed in an evacuated jacket which is completely silvered except for two narrow clear strips 180° apart that serve as windows. The column consists of a plain tube with full length Standard Taper inner joint at bottom and Standard Taper outer joint of the same size at top. Near the bottom there is a row of indentations to support random type packing material.

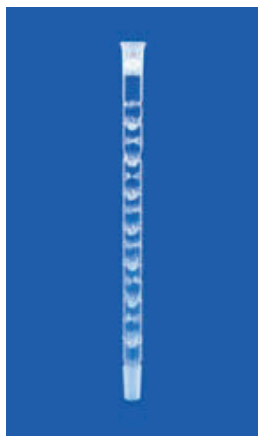
CATALOG NO.	COLUMN LENGTH	COLUMN I.D.	JOINT	QUANTITY / PACK	PRICE
LG-5792-120	300mm	19mm	ST 24/40	1	\$535.43
LG-5792-124	500mm	19mm	ST 24/40	1	\$618.26
LG-5792-140	300mm	25mm	ST 29/42	1	\$571.29



## Snyder Distilling Columns

Made of borosilicate glass, these Snyder distilling columns include either two, three, or six sections designed for rapid solvent evaporation while retaining a high percentage of solute. Used as a component in the Kuderna-Danish evaporative concentrator (LG-6867). Each section contains a floating ball valve which allows vapors to rise and condensate to flow downward.

CATALOG NO.	NO. OF SECTIONS IN COLUMN	OVERALL LENGTH	GRADUATED LENGTH	JOINT	NUMBER OF SECTIONS	QUANTITY / PACK	PRICE
LG-5850-098	2	150mm	150mm	ST 19/22	2	1	\$134.51
LG-5850-100	3	325mm	325mm	ST 24/40	3	1	\$141.72
LG-5850-102	6	475mm	475mm	ST 24/40	6	1	\$208.71

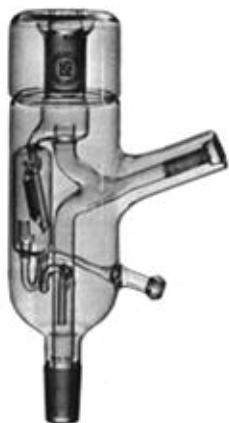


## Vigreux Distilling Columns

Design of these borosilicate glass distilling columns includes indentations, alternately horizontal and angled downward. These indents improve refluxing and promote separation of volatile mixtures. All indented columns are vacuum tested to ensure leak free operation. With a Standard Taper outer joint on top and same size Standard Taper inner joint on bottom, the effective length is the distance between top and bottom indents.

CATALOG NO.	EFFECTIVE LENGTH	JOINT	QUANTITY / PACK	PRICE
LG-5890-100	150mm	ST 24/40	1	\$90.18
LG-5890-102	200mm	ST 24/40	1	\$90.17
LG-5890-104	300mm	ST 24/40	1	\$115.80
LG-5890-106	450mm	ST 24/40	1	\$175.77
LG-5890-108	600mm	ST 24/40	1	\$248.29
LG-5890-110	900mm	ST 24/40	1	\$275.85
LG-5890-120	150mm	ST 29/42	1	\$101.43
LG-5890-122	200mm	ST 29/42	1	\$103.87
LG-5890-124	300mm	ST 29/42	1	\$133.09
LG-5890-126	450mm	ST 29/42	1	\$187.59
LG-5890-128	600mm	ST 29/42	1	\$253.08
LG-5890-130	900mm	ST 29/42	1	\$282.67
ML-782-696	100mm	ST 14/20	1	\$84.43
ML-782-698	100mm	ST 19/22	1	\$91.68
ML-782-700	130mm	ST 14/20	1	\$85.72
ML-782-702	130mm	ST 19/22	1	\$91.08
ML-782-704	300mm	ST 14/20	1	\$139.97
ML-782-706	300mm	ST 19/22	1	\$135.57

## DISTILLATION HEAD



### Auto Liquid Dividing Distilling Heads

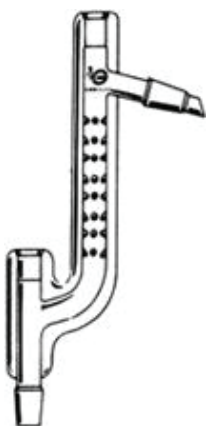
These borosilicate glass distilling heads have an interchangeable Standard Taper inner joint at the bottom for connection to a distilling column and a full length Standard Taper 10/30 outer member to receive a thermometer calibrated for 75mm immersion.

A tilting funnel in the head receives the condensate and normally returns the liquid to the column. A glass-enclosed iron core attached to the funnel may be energized by an external solenoid at timed intervals to tip the funnel and deliver the liquid instead to a product receiver. The takeoff tube has a Socket Joint 18/9 ball.

The head is completely vacuum jacketed. The jacket has an internal bellows to allow for differential expansion of jacket and head and is silvered to improve accuracy of temperature measurements and minimize heat transfer.

Other combinations of interchangeable joint sizes - Standard Taper, Socket Joint and pipe flange - can be supplied. For a solenoid to use with these heads see LG-6215; for product receivers see LG-6190.

CATALOG NO.	TOP JOINT	BOTTOM JOINT	QUANTITY / PACK	PRICE
LG-6171-100	ST 29/42	ST 24/40	1	\$2070.13
LG-6171-102	ST 29/42	ST 29/42	1	\$2102.99
LG-6171-106	ST 55/50	ST 55/50	1	\$2724.83



### Claisen-Vigreux Jacketed Distilling Heads

These borosilicate glass distilling heads combine the Claisen style adapter and the Vigreux column and have an evacuated jacket for increased distillation efficiency. At 100mm indented length and a bottom inner joint, the top joint is Standard Taper 10/18 outer with the same size joint for a partial immersion thermometer (up to 4mm – see ML-1820).

CATALOG NO.	JOINT	QUANTITY / PACK	PRICE
ML-806-700	ST 14/20	1	\$457.92
ML-806-702	ST 19/22	1	\$438.29



## Separable Distilling Heads

Made of borosilicate glass these distilling heads feature a removable cold finger condenser with a Standard Taper 29/42 inner. Distilling heads have an upper Standard Taper 29/42 outer, a lower Standard Taper inner, and two stopcocks which are in the pressure equalizing line allowing receiver changes without interrupting the distillation. Thermometer joint is Standard Taper 10/30.

CATALOG NO.	DESCRIPTION	JOINT	QUANTITY / PACK	PRICE
LG-6290-100	Distilling Head w/Condenser	ST 24/40	1	\$746.68
LG-6290-102	Distilling Head w/Condenser	ST 29/42	1	\$759.61
LG-6290-112	Cold Finger Condenser	ST 29/42	1	\$96.19
LG-6290-120	Distilling Head w/o Condenser	ST 24/40	1	\$675.32
LG-6290-122	Distilling Head w/o Condenser	ST 29/42	1	\$689.85

## Distilling Heads with Liebig Condenser

These borosilicate glass one piece distilling units incorporate a Liebig condenser and have a Standard Taper 10/30 joint for a 75mm immersion thermometer.



CATALOG NO.	JOINT	JACKET LENGTH	QUANTITY / PACK	PRICE
LG-6100-100	ST 24/40	200mm	1	\$188.97
LG-6100-101	ST 24/40	250mm	1	\$204.04
LG-6100-104	ST 24/40	400mm	1	\$235.87

## Distilling Heads with Vacuum Port

These borosilicate glass distilling heads have a one piece design with the condenser angled at 75° and a vacuum port on product side which can be left open for atmospheric distillations. A Standard Taper 10/30 outer joint is provided for a 75mm immersion thermometer. See thermometer adapters (LG-1453) for use with models ML-870.



CATALOG NO.	JOINT	JACKET LENGTH	QUANTITY / PACK	PRICE
LG-6115-100	ST 24/40	200mm	1	\$276.39
LG-6115-102	ST 24/40	250mm	1	\$302.72
LG-6115-104	ST 24/40	300mm	1	\$295.86
LG-6115-106	ST 24/40	400mm	1	\$327.60
LG-6115-120	ST 29/42	200mm	1	\$280.31
LG-6115-122	ST 29/42	250mm	1	\$306.84
LG-6115-126	ST 29/42	400mm	1	\$331.73
ML-870-700	ST 14/20	100mm	1	\$226.13
ML-870-702	ST 19/22	100mm	1	\$227.53

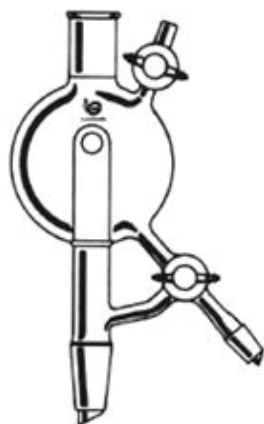


## Magnetic Control Distilling Heads

These borosilicate glass distilling heads are for magnetically controlling reflux ratio. The receiver connection is a full length Standard Taper 24/40. The stopcock in the receiver tube permits change of receivers without interrupting the distillation. Additional stopcocks allow operation at atmospheric or reduced pressure. The top of vapor tube has a Standard Taper 10/30 outer joint to accept a thermometer calibrated for 75mm immersion and the bottom of uptake tube is available in two different Standard Taper inner joints.

NOTE: The proper electromagnetic coil to use to actuate the magnet is LG-6212.

CATALOG NO.	JOINT	QUANTITY / PACK	PRICE
LG-6280-100	ST 24/40	1	\$1341.82
LG-6280-102	ST 29/42	1	\$1352.28



## Solvent Purification Distilling Heads

These borosilicate glass solvent purification distilling heads are used in distilling apparatus to prepare dry, deoxygenated solvents. Flask provides storage and access by syringe. Drainage or return to the boiling flask is accomplished with a 2mm T-Bore PTFE stopcock. All joints on IG-345T are Standard Taper 14/20 while those on LG-6330T are Standard Taper 24/40 with the takeoff arm Standard Taper 14/20.

CATALOG NO.	STORAGE CAPACITY	FLASK CAPACITY	JOINT	QUANTITY / PACK	PRICE
IG-345T-100	125mL	250mL	ST 14/20	1	\$556.29
LG-6330T-100	250mL	500mL	ST 24/40	1	\$490.78
LG-6330T-102	500mL	1000mL	ST 24/40	1	\$531.84

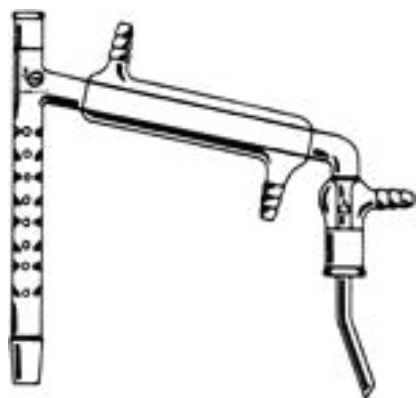


## Short Path Distilling Heads with Vigreux Indents

This borosilicate glass short path distillation head features Vigreux indentations in the bottom portion of the stem to improve efficiency. It is used where small quantities must be kept to a minimum.

CATALOG NO.	TOP THERMOMETER JOINT	LOWER INNER JOINT	QUANTITY / PACK	PRICE
LG-6316-102	ST 10/18	ST 14/20	1	\$234.04
LG-6316-104	ST 10/30	ST 24/40	1	\$260.88
LG-6316-106	ST 14/20	ST 24/40	1	\$260.88
LG-6316-108	ST 10/30	ST 29/26	1	\$269.56

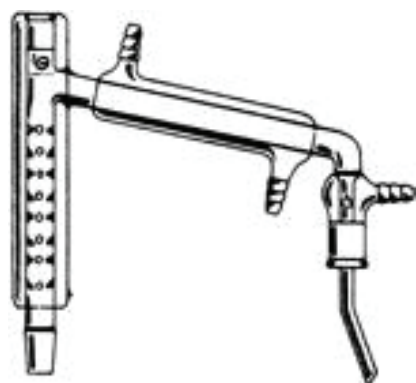
## Vigreux Distilling Head with West Condenser



This borosilicate glass distilling head consists of a Vigreux column, attached West condenser, and a vacuum adapter with a bent delivery tube. Top of Vigreux column is Standard Taper 10/18 outer, calibrated for 40mm immersion thermometers. Column and adapter have bottom inner Standard Taper 14/20 joints. For distributing adapters, see ML-970.

CATALOG NO.	JOINT	QUANTITY / PACK	PRICE
ML-835-700	ST 14/20	1	\$313.57

## Vigreux Jacketed Distilling Head



This borosilicate glass distilling head is a single piece unit and the Vigreux column is jacketed to achieve greater distillation efficiency. Thermometer joint is Standard Taper 10/18, all other joints are Standard Taper 14/20. See ML-970 for distribution adapters.

CATALOG NO.	JOINT	QUANTITY / PACK	PRICE
ML-837-700	ST 14/20	1	\$683.81

## RECEIVING / RECOVERY



## Graduated Distilling Receivers with PTFE Plug and Coiled Vent Line

These borosilicate glass units consist of a jacketed graduated tube with coiled vent line enclosed in the jacket resulting in a combined condenser and product receiver. With 18/9 socket joint on top inlet, same size ball joint on delivery tube, and 3/8" hose connections, these distilling receivers are supplied with a PTFE valve.

CATALOG NO.	CAPACITY	SUBDIVISIONS	STOPCOCK SIZE	QUANTITY / PACK	PRICE
LG-6381T-100	50mL	1mL	2mm PTFE	1	\$1036.72
LG-6381T-104	250mL	2mL	3mm PTFE	1	\$1229.28
LG-6381T-106	500mL	5mL	4mm PTFE	1	\$1347.59
LG-6381T-108	1000mL	10mL	6mm PTFE	1	\$1617.59

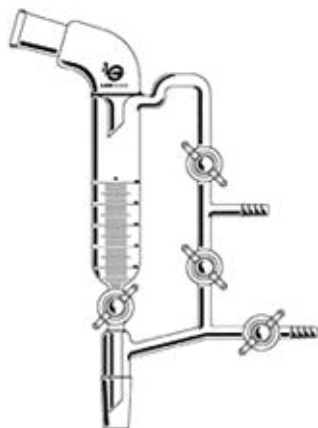
## Graduated Distilling Receivers



Used between condenser and receiver during vacuum distillation, the design of these borosilicate glass distilling receivers allows placement and removal of product receiver without interrupting distillation. Equipped with three glass stopcocks and two hose connectors, these units have a full length Standard Taper outer joint at inlet and a Standard Taper inner joint of same size at outlet.

CATALOG NO.	JOINT	CAPACITY	SUBDIVISIONS	QUANTITY / PACK	PRICE
LG-6440-100	ST 24/40	50mL	1mL	1	\$687.72
LG-6440-102	ST 24/40	100mL	2mL	1	\$726.46
LG-6440-104	ST 24/40	250mL	2mL	1	\$895.93
LG-6440-106	ST 24/40	500mL	5mL	1	\$1110.38
LG-6440-110	ST 29/42	50mL	1mL	1	\$694.97
LG-6440-112	ST 29/42	100mL	2mL	1	\$733.73
LG-6440-116	ST 29/42	500mL	5mL	1	\$1115.57
LG-6440-120	ST 35/25	50mL	1mL	1	\$712.26
LG-6440-122	ST 35/25	100mL	2mL	1	\$751.07
LG-6440-124	ST 35/25	250mL	2mL	1	\$919.94
LG-6440-126	ST 35/25	500mL	5mL	1	\$1134.95

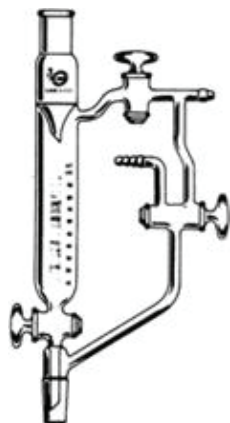
## Graduated Distilling Receivers with PTFE Plug



Used between condenser and receiver during vacuum distillation, the design of these borosilicate glass distilling receivers allows placement and removal of product receiver without interrupting distillation. Equipped with three stopcocks with PTFE plugs and two hose connectors, these units have a full length Standard Taper outer joint at inlet and a Standard Taper inner joint of same size at outlet.

CATALOG NO.	JOINT	CAPACITY	QUANTITY / PACK	PRICE
LG-6440T-100	ST 24/40	50mL	1	\$756.91
LG-6440T-102	ST 24/40	100mL	1	\$834.54
LG-6440T-104	ST 24/40	250mL	1	\$1018.91
LG-6440T-106	ST 24/40	500mL	1	\$1242.06
LG-6440T-110	ST 29/42	50mL	1	\$764.65
LG-6440T-112	ST 29/42	100mL	1	\$842.31
LG-6440T-114	ST 29/42	250mL	1	\$1026.67
LG-6440T-116	ST 29/42	500mL	1	\$1249.86





## Graduated Distilling Receivers with Three Way Stopcock

Used between condenser and receiver during vacuum distillation, the design of these borosilicate glass distilling receivers allows placement and removal of product receiver without interrupting distillation. Equipped with a three-way stopcock for venting, these units are graduated to indicate capacity, have a full length Standard Taper outer joint at inlet and a Standard Taper inner joint of same size at outlet.

CATALOG NO.	JOINT	CAPACITY	SUBDIVISIONS	QUANTITY / PACK	PRICE
LG-6470-100	ST 24/40	50mL	1mL	1	\$696.26
LG-6470-102	ST 24/40	100mL	1mL	1	\$774.91
LG-6470-104	ST 24/40	250mL	2mL	1	\$950.16
LG-6470-106	ST 29/42	250mL	2mL	1	\$973.92



## Recycling Moisture Traps

Supplied with a Standard Taper 10/30 joint to accommodate a 75mm immersion thermometer, these borosilicate glass recycling moisture traps are used for determination of water in various materials by distillation with a solvent that is not miscible with water. They have a full length Standard Taper inner member for connection to distilling flask and a Standard Taper outer joint of the same size to connect the condenser.

CATALOG NO.	JOINT	CAPACITY	SUBDIVISIONS	QUANTITY / PACK	PRICE
LG-9146T-100	ST 24/40	20mL	0-3 in 1/5mL, 3-20 in 1/2mL	1	\$437.64
LG-9146T-200	ST 29/42	20mL	0-3 in 1/5mL, 3-20 in 1/2mL	1	\$445.70



## Barrett Moisture Traps with 2mm PTFE Plug

Calibrated "to contain" at 20°C, these borosilicate glass distilling receivers are used for determination of water in various materials by distillation with a solvent that is not miscible with water. With full length Standard Taper inner member for connection to distilling flask and a Standard Taper outer joint of the same size to connect the condenser, these moisture traps are supplied with a 2mm PTFE stopcock.

CATALOG NO.	JOINT	CAPACITY	SUBDIVISIONS	QUANTITY / PACK	PRICE
LG-9076T-100	ST 24/40	10mL	1/10mL	1	\$235.87
LG-9076T-102	ST 24/40	20mL	0-3 in 2/10mL, 3-20 in 5/10mL	1	\$249.85
LG-9076T-110	ST 29/42	10mL	1/10mL	1	\$250.46



## Barrett Moisture Traps with 2mm Glass Plug

Calibrated “to contain” at 20°C, these borosilicate glass distilling receivers/ moisture traps have an added connection between top of vapor tube and graduated tube which allows excess solvent to return to the flask with minimal chance of return of condensate. Used for determination of water in various materials by distillation with a solvent that is not miscible with water, they have a full length Standard Taper inner member for connection to distilling flask and a Standard Taper outer joint of the same size to connect the condenser. Stopcock has a glass plug with a 2mm bore.

CATALOG NO.	JOINT	CAPACITY	SUBDIVISIONS	QUANTITY / PACK	PRICE
LG-9080-100	ST 24/40	10mL	1/10mL	1	\$231.84
LG-9080-102	ST 24/40	20mL	0-3 in 2/10mL, 3-20 in 5/10mL	1	\$243.85
LG-9080-110	ST 29/42	10mL	1/10mL	1	\$266.09
LG-9080-112	ST 29/42	20mL	0-3 in 2/10mL, 3-20 in 5/10mL	1	\$283.68



## Barrett Moisture Traps with 2mm PTFE Plug and Vapor Connection

Calibrated “to contain” at 20°C, these borosilicate glass distilling receivers/ moisture traps have an added connection between top of vapor tube and graduated tube which allows excess solvent to return to the flask with minimal chance of return of condensate. Used for determination of water in various materials by distillation with a solvent that is not miscible with water, they have a full length Standard Taper inner member for connection to distilling flask and a Standard Taper outer joint of the same size to connect the condenser. Stopcock has a PTFE plug with a 2mm bore.

CATALOG NO.	JOINT	CAPACITY	SUBDIVISIONS	QUANTITY / PACK	PRICE
LG-9081T-100	ST 24/40	10mL	1/10mL	1	\$264.56
LG-9081T-102	ST 24/40	20mL	0-3 in 2/10mL, 3-20 in 5/10mL	1	\$278.50
LG-9081T-110	ST 29/42	10mL	1/10mL	1	\$247.83
LG-9081T-112	ST 29/42	20mL	0-3 in 2/10mL, 3-20 in 5/10mL	1	\$259.89



## Graduated Distilling Receivers with PTFE Stopcock

Borosilicate glass distilling receivers have Standard Taper inner and outer joints of the same size. Tube portion is graduated from 0 to 2mL in 0.02mL subdivisions.

CATALOG NO.	JOINT	QUANTITY / PACK	PRICE
ML-933T-700	ST 14/20	1	\$233.07
ML-933T-702	ST 19/22	1	\$242.04



## Crank Case Oil Dilution Distilling Receivers

These borosilicate glass distilling receivers with inner and outer Standard Taper joints are used to determine the amount of dilution in crankcase oils when gasoline has been used as fuel. Receiver design keeps heat-sensitive materials away from the hot base of the flask. Calibrated "to contain" at 20°C. Choose from models with or without 2mm stopcock.

NOTE: Receiver meets ASTM D322 requirements

CATALOG NO.	DESCRIPTION	JOINT	CAPACITY	SUBDIVISIONS	QUANTITY / PACK	PRICE
LG-9110-100	Without Stopcock	ST 24/40	5mL	1/10mL	1	\$172.99
LG-9110-102	Without Stopcock	ST 24/40	12.5mL	1/10mL	1	\$207.67
LG-9115-100	With Stopcock	ST 24/40	12.5mL	1/10mL	1	\$216.71
LG-9115-110	With Stopcock	ST 29/42	12.5mL	1/10mL	1	\$211.46



## Bidwell-Sterling Moisture Traps

Made of borosilicate glass, these Bidwell-Sterling moisture traps are calibrated "to contain" (TC) at 20°C and are used for determining moisture in samples by distilling with an immiscible liquid. Consist of vapor tube, return tube, round bottom graduated tube, and Standard Taper 24/40 inner and outer joints.

NOTE: Conforms with ASTM Specification E 123. Also conforms with many methods of American Oil Chemists Society.  
Reference No. ASTM E 123

CATALOG NO.	CAPACITY	SUBDIVISIONS	QUANTITY / PACK	PRICE
LG-9095-100	5mL	1/10mL	1	\$135.74
LG-9095-102	10mL	1/10mL	1	\$141.58



## Bidwell-Sterling Moisture Traps with Vapor Connection

For the determination of water in petroleum and bituminous materials, these borosilicate glass Bidwell-Sterling moisture traps collect liquefied vapor. They feature a connection between top of vapor tube and graduated tube. This construction allows excess solvent to return to flask with minimal chance of condensed moisture return. Standard Taper 24/40 inner and outer joints. Reference No. ASTM D 4006

CATALOG NO.	CAPACITY	SUBDIVISIONS	QUANTITY / PACK	PRICE
LG-9100-098	5mL	1/10mL	1	\$210.36
LG-9100-100	5mL	1/20mL	1	\$175.12
LG-9100-102	10mL	1/10mL	1	\$207.67



## Dean-Stark Moisture Traps

Calibrated "to contain" at 20°C, these borosilicate glass moisture traps are used for the determination of water in various materials by distillation with an immiscible solvent. They consist of a full length Standard Taper inner joint for vapor tube connection to distilling flask and a Standard Taper outer joint of the same size for connection to condenser. May be used for ASTM Method D 95 and other similar ASTM methods.

CATALOG NO.	JOINT	CAPACITY	SUBDIVISIONS	QUANTITY / PACK	PRICE
LG-9130-100	ST 24/40	10mL	0-2 in 1/10mL, 2-10 in 1/5mL	1	\$161.02
LG-9130-102	ST 24/40	25mL	0-2 in 1/10mL, 2-25 in 1/5mL	1	\$167.24
LG-9130-110	ST 29/42	10mL	0-2 in 1/10mL, 2-10 in 1/5mL	1	\$169.05
LG-9130-112	ST 29/42	25mL	0-2 in 1/10mL, 2-25 in 1/5mL	1	\$162.28



## Dean-Stark Moisture Traps with Additional Line

These borosilicate glass distilling receivers are provided with an additional solvent return line which avoids recycling condensate to the flask. With full length Standard Taper inner joint for vapor tube connection to distilling flask and a Standard Taper outer joint of the same size for connection to condenser.

CATALOG NO.	JOINT	CAPACITY	SUBDIVISIONS	QUANTITY / PACK	PRICE
LG-9140-100	ST 24/40	10mL	0-2 in 1/10mL, 2-10 in 1/5mL	1	\$178.59
LG-9140-102	ST 24/40	25mL	0-2 in 1/10mL, 2-25 in 1/5mL	1	\$186.61
LG-9140-104	ST 24/40	50mL	0-10 in 1/2mL, 10-50 in 1mL	1	\$220.14
LG-9140-110	ST 29/42	10mL	0-2 in 1/10mL, 2-10 in 1/5mL	1	\$177.03
LG-9140-112	ST 29/42	25mL	0-2 in 1/10mL, 2-25 in 1/5mL	1	\$186.99
LG-9140-114	ST 29/42	50mL	0-10 in 1/2mL, 10-50 in 1mL	1	\$212.84



## Multiple Distilling Receiver with 50mL Receiving Flasks

These borosilicate glass distilling heads consist of a vacuum adapter with inlet angled at 105° to the delivery stem, the distributing adapter, and four - 50mL receiving flasks with Standard Taper 24/40 outer joints. All pieces are connected using plastic clamps (LG-1004 included).

CATALOG NO.	DESCRIPTION	ADAPTER JOINT	RECEIVER JOINT	QUANTITY / PACK	PRICE
LG-6550-100	Complete Distilling Head	ST 24/40	ST 24/40	1	\$414.63
LG-6550-102	Complete Distilling Head	ST 29/42	ST 24/40	1	\$464.44
LG-6550-110	Vacuum Adapter	ST 24/40		1	\$91.68
LG-6550-112	Vacuum Adapter	ST 29/42		1	\$95.20
LG-6550-140	Distributing Adapter	ST 24/40	ST 24/40	1	\$240.00
LG-6550-142	Distributing Adapter	ST 29/42	ST 24/40	1	\$283.85



## Multiple Distilling Receiver with 15mL Receiving Flasks

Complete borosilicate glass distilling head units consist of 105° vacuum adapter, distributing adapter, and four - 15mL flasks with Standard Taper 14/20 outer joints. Each flask can be positioned under the delivery stem by rotating the distributing adapter. All pieces are connected using plastic clamps (LG-1004 included).

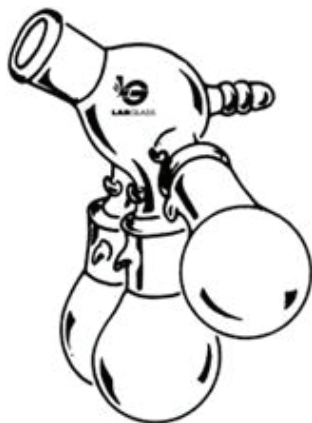
CATALOG NO.	DESCRIPTION	ADAPTER JOINT	RECEIVER JOINT	QUANTITY / PACK	PRICE
ML-970-700	Complete Distilling Head	ST 14/20	ST 14/20	1	\$333.44
ML-970-710	Vacuum Adapter	ST 14/20	ST 14/20	1	\$62.04
ML-970-720	Distributing Adapter	ST 14/20	ST 14/20	1	\$175.72



## Distilling Receiver

These borosilicate glass distilling heads consist of an adapter and three graduated receiving tubes. The inlet joint is a Standard Taper 14/20 outer. The three receiver joints are Standard Taper inner joints of the same size. The angle between the center lines of the condenser and receivers causes the distillate to drop directly into the receivers. Receiving tubes are graduated to 12mL - 0 to 2mL in 0.1mL, 2 to 12mL in 0.2mL. Receiver tops have Standard Taper outer joints. The clamps (LG-1004) are supplied with the complete apparatus.

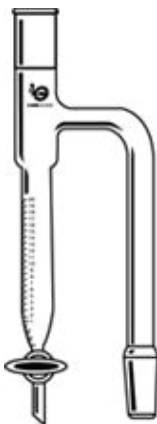
CATALOG NO.	DESCRIPTION	QUANTITY / PACK	PRICE
ML-920-700	Receiver Tube	1	\$52.29
ML-974-700	Distilling Head	1	\$265.72
ML-974-702	Adapter	1	\$159.72



## Distilling Receiver with 15mL Receiving Flasks

This borosilicate glass distilling head consists of an adapter and three receiving flasks. The inlet end of the adapter has a Standard Taper 14/20 outer joint, three Standard Taper 14/20 inner joint outlets, and a hose connection for attachment to a vacuum source. These outlets are 45° apart and located so the drip tip of the full length Standard Taper joint of an ML-560 condenser can discharge into a flask when receiver is connected to the condenser. By turning the adapter each flask can be selected to receive distillate. Flasks are connected using LG-1004 plastic clamps (supplied).

CATALOG NO.	DESCRIPTION	QUANTITY / PACK	PRICE
ML-975-700	Complete Distilling Head	1	\$244.41
ML-975-710	Vacuum Adapter	1	\$142.91
LG-1004-104	Plastic Clamp, ST 14	1	\$4.47



## Barrett Moisture Traps

Calibrated "to contain" at 20°C, these borosilicate glass distilling receivers are used for determination of water in various materials by distillation with a solvent that is not miscible with water. With full length Standard Taper inner member for connection to distilling flask and a Standard Taper outer joint of the same size to connect the condenser, these moisture traps are supplied with a 2mm stopcock.

CATALOG NO.	JOINT	CAPACITY	SUBDIVISIONS	QUANTITY / PACK	PRICE
LG-9075-102	ST 24/40	20mL	0-3 in 2/10mL; 3-20 in 5/10mL	1	\$229.88
LG-9075-112	ST 29/42	20mL	0-3 in 2/10mL; 3-20 in 5/10mL	1	\$235.65

## COLUMN PACKING

### Heli-Pak Column Packing



Heli-Pak is a particle type packing and can be "poured" into any laboratory or pilot scale column. It is easily removed for replacement or cleaning. Features include:

- LOW H.E.T.P. - Lowest reported for random packings
- HIGH EFFICIENCY - Holdup per plate for a given distilling rate gives high efficiency and optimum all around performance
- NON-CANNELING - Furnished in larger column diameter due to its capillary liquid redistributing action
- POURS EASILY - Maximum effectiveness requires no laborious or critical filling techniques
- VARIETY OF MATERIALS - Shown here in stainless steel (nichrome, monel, nickel, Hastelloy "B", bronze, and tantalum available upon request)
- LOW COST - Economical to use on a per plate and per distillation basis

Available in three sizes shown below and sold in 1 lb. packages.

"A": 0.035" x 0.070" x 0.070" - Smallest packing physically possible without flooding; Recommended for columns 5mm to 15mm I.D. operating at atmospheric pressure; Free space 78%

"B": 0.050" x 0.100" x 0.100" - A balanced all-purpose packing with efficiency factor higher than any reported random packing; Low holdup and pressure drop; Recommended for columns from 10mm to 30mm diameter, operating at atmospheric or vacuum conditions; Free space 83%

"C": 0.090" x 0.175" x 0.175" - A larger size packing with high capacity and low pressure drop; Specially designed for use in columns 25mm I.D. and larger; For operation at atmospheric and reduced pressures; Free space 84%

CATALOG NO.	SIZE	QUANTITY / PACK	PRICE
PD-3008	C	1	\$218.87
PD-3012	A	1	\$251.75
PD-3013	B	1	\$226.47

### Raschig Rings



These borosilicate glass rings are used for distilling column packing. They vary in size and are sold in 1 lb. packages.

CATALOG NO.	LENGTH	OUTSIDE DIAMETER	PIECES/CU. FT.	APPROX PIECES/ LBS.	QUANTITY / PACK	PRICE
LG-6740-100	6mm	6mm	114000	1910	1	\$138.39
LG-6740-102	7mm	7mm	63500	1475	1	\$144.14
LG-6740-104	8mm	8mm	39000	1070	1	\$144.14
LG-6740-106	12mm	12mm	11200	430	1	\$141.84

## Solid Glass Beads

These borosilicate glass beads are used for distilling column packing. They vary in size and are sold in 1 lb. packages.



CATALOG NO.	APPROX DIAMETER	APPROX BEADS/LBS.	QUANTITY / PACK	PRICE
LG-6750-100	3mm	11000	1	\$186.58
LG-6750-102	4mm	5500	1	\$161.51
LG-6750-104	5mm	2500	1	\$145.57
LG-6750-106	6mm	1600	1	\$134.79

## COMPLETE UNITS



### Short Path Distilling Apparatus with Receiving Flasks

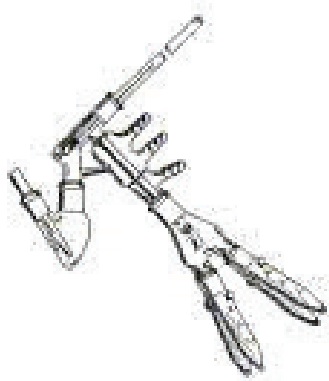
This borosilicate glass short path distilling head apparatus has a compact design to minimize product loss. The thermometer bulb and stem serve as the column packing. A Standard Taper 10/18 outer joint accepts thermometers calibrated for 75mm immersion. The distributing adapter consists of a single Standard Taper 24/40 outer joint and three Standard Taper 24/40 inner joints to accept three 50mL round bottom receivers. The receivers are held in place with plastic clamps.

Complete unit comes with the following components:

- LG-6315-100 Distilling Head
- LG-6315-102 Distributing Adapter, 100mL
- LG-7291-234 2- Neck Flask, 250mL, Standard Taper 24/40
- LK-181-100 Bleed-in Adapter
- LG-7220-140 Receiving Flask, 50ml, (3 req'd)
- ML-1820-730 Thermometer, -10 to +250°C in 1°C, 75mm immersion
- LG-1004-108 Plastic Clamps, Size 24
- LG-1453-106 Thermometer Adapter, Standard Taper 24/40

CATALOG NO.	DESCRIPTION	JOINT	QUANTITY / PACK	PRICE
LG-6315-098	Complete Distilling Apparatus		1	\$665.76
LG-6315-100	Distilling Head	ST 24/40	1	\$220.42
LG-6315-102	Adapter	ST 24/40	1	\$203.09
LG-1453-106	Therm. Adapter	ST 24/25	1	\$37.30





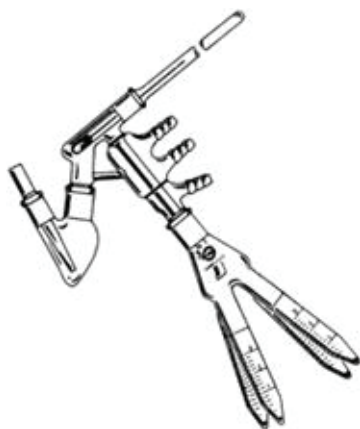
## Short Path Distilling Apparatus with Separable Adapter Tubes

This borosilicate glass short path distilling head apparatus has the distilling portion, condenser, and vacuum connection sealed close together to reduce travel path of distillate. A Standard Taper 10/18 outer joint accepts the thermometer. The distributing adapter consists of a single Standard Taper 12/18 outer joint and three Standard Taper 12/18 inner joints ready to accept 3, 3mL receivers.

Complete unit comes with the following components:

- ML-905-702 Distilling Head
- ML-905-704 Distributing Adapter, Standard Taper 12/18
- L-905-706 Receiver, 3mL in 0.2mL, Standard Taper 12/18 (3 req'd)
- ML-905-800 Thermometer, -10 to +250°C in 1°C, Standard Taper 10/18
- ML-178-700 Gas Inlet Adapter
- ML-1170-734 Distilling Flask, 10mL, Standard Taper 14/20

CATALOG NO.	DESCRIPTION	JOINT	QUANTITY / PACK	PRICE
ML-905-700	Complete Distilling Apparatus		1	\$663.44
ML-905-702	Distilling Head	ST 14/20	1	\$224.02
ML-905-704	Adapter	ST 12/18	1	\$167.12



## Short Path Distilling Apparatus with Inseparable Adapter Tubes

This borosilicate glass short path distilling head apparatus has the distilling portion, condenser, and vacuum connection sealed close together to reduce travel path of distillate. A Standard Taper 10/18 outer joint accepts the thermometer. The distributing adapter is one unit and consists of a single Standard Taper 12/18 outer joint and three receivers, graduated to 3mL in 0.2mL subdivisions.

Complete unit comes with the following components:

- ML-905-702 Distilling Head
- ML-906-704 Distributing Adapter and Receiver, Standard Taper 14/20
- ML-905-800 Thermometer, -10 to +250°C in 1°C, Standard Taper 10/18
- ML-178-700 Gas Inlet Adapter, 35mm Stem
- ML-1170-734 Distilling Flask, 10mL Standard Taper 14/20

CATALOG NO.	DESCRIPTION	JOINT	QUANTITY / PACK	PRICE
ML-906-700	Complete Distilling Apparatus		1	\$537.10
ML-906-704	Distilling Adapter with attached receivers	ST 14/20	1	\$196.99
ML-178-700	Gas Inlet Adapter		1	\$22.13
ML-905-800	Non-Mercury Thermometer &nbsp;(-10/250°C)	ST 10/18	1	\$65.56

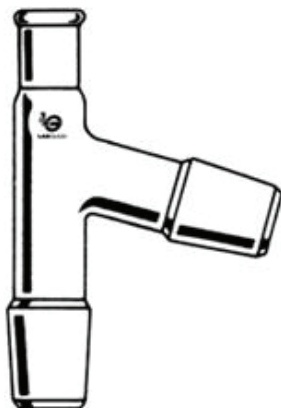
## General Purpose Distilling Apparatus



These borosilicate glass apparatus are used in general purpose and phenol distillation. They are useful for batch production of high purity water. Complete unit consists of a flask with a flat bottom and distillation head having Standard Taper 19/38 joint, Standard Taper Stopper, and Graham style 200mm long jacketed condenser with a Standard Taper 19/38 joint at top only.

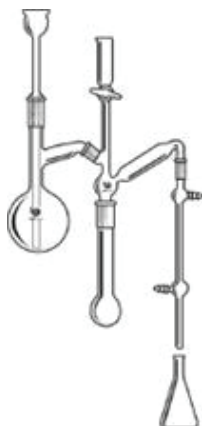
CATALOG NO.	DESCRIPTION	CAPACITY	LENGTH	JOINT	STOPPER SIZE	QUANTITY / PACK	PRICE
LG-6600-100	Flask Only	500mL		ST 19/38	ST 22	1	\$288.78
LG-6600-102	Complete Apparatus	1000mL			ST 27	1	\$326.03
LG-6600-120	Condenser Only		200mm	ST 19/38 top		1	\$178.27
LG-6600-122	Complete Apparatus	500mL			ST 27	1	\$223.30
LG-6600-130	Flask Only	1000mL		ST 19/38	ST 27	1	\$144.67

## Reduced Pressure Distilling Apparatus



Borosilicate glass distilling apparatus includes a three-way bent adapter for a Standard Taper 10/18 thermometer with a 25mm immersion, a 110mm Liebig condenser, a 105° vacuum adapter (ML-390-700), a 25mL Erlenmeyer flask (ML-1230-706), and a pear-shaped 50mL distilling flask (ML-1160-718). All joints (not including thermometer joint) are a Standard Taper 14/20.

CATALOG NO.	DESCRIPTION	BOTTOM JOINT	JACKET LENGTH	TOP JOINT	JOINT	IMMERSION	THERMOMETER JOINT	QTY / PK	PRICE
LG-6657-100	Complete Distilling Apparatus							1	\$269.62
ML-310-700	Distilling Adapter				ST 14/20	25mm	ST 10/18	1	\$65.38
ML-560-700	Liebig Condenser	ST 14/20	110mm	ST 14/20				1	\$87.56



## Kjeldahl Distillation Apparatus

This Kjeldahl distilling apparatus, made of borosilicate glass is supplied with the following:

- 500mL round bottom boiling flask with Standard Taper 24/40 and sidearm with Standard Taper 14/35
- Filling funnel with Standard Taper 24/40
- 50mL digestion flask with Standard Taper 24/40
- Separatory funnel with Standard Taper 4mm bore stopcock and two sidearms with Standard Taper 14/35 - one inner and one outer
- A Liebig condenser with Standard Taper 14/35 and a plain drip tip tube leading to an Erlenmeyer flask (C-4980-250)
- Appropriate clamps (LG-1004) to secure the apparatus

CATALOG NO.	DESCRIPTION	JOINT	QUANTITY / PACK	PRICE
LG-6635-100	Complete Distilling Apparatus		1	\$562.02
LG-6635-102	Flask, 500mL	ST 24/40	1	\$105.32
LG-6635-104	Flask, 50mL	ST 24/40	1	\$45.92
LG-6635-106	Separatory Funnel	ST 24/40	1	\$281.10
LG-6635-108	Condenser	ST 14/35	1	\$113.85
LG-6635-110	Filling Funnel	ST 24/40	1	\$53.60

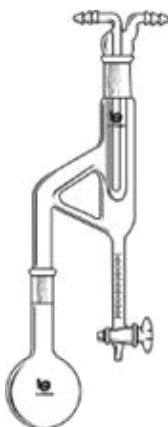
## Monier-Williams Sulfites Distilling Apparatus



Used for the determination of sulfites in food and related product, this Monier-Williams Sulfites distilling apparatus is made of borosilicate glass and has Standard Taper 24/40 outer and inner joints. The complete unit consists of a special outlet adapter with a double bend, a 300mm long Allihn condenser, a cylindrical separatory funnel, a right angle inlet adapter with a bubbler tube, a right angle hose connection adapter (LG-1702-102), and a three neck 1000mL boiling flask (LG-7330-194).

Reference: Federal Register, Vol 51, No. 131, July 9, 1986

CATALOG NO.	DESCRIPTION	LENGTH	JOINT	QUANTITY / PACK	PRICE
LG-6675-100	Complete Distilling Apparatus		ST 24/40	1	\$662.65
LG-6675-102	Cylindrical Separatory Funnel		ST 24/40	1	\$210.58
LG-6675-104	Inlet Adapter w/Bubbler Tube		ST 24/40	1	\$92.54
LG-6675-106	Special Bent Adapter		ST 24/40	1	\$67.71
LG-6675-110	Ful-Jak Allihn Condenser	300mm	ST 24/40	1	\$203.39
LG-1702-102	90Deg. Adapter		ST 24/40	1	\$27.30



## Volatile Oil Distilling Apparatus for Oils Heavier than Water

Designed to be used with oils heavier than water, this borosilicate glass distilling apparatus consists of a Clevenger-type oil trap with a Standard Taper 24/40 top outer joint and an inner joint on the sidearm. Included are a round bottom long neck flask (LG-7221) and a cold finger condenser with a Standard Taper 24/40 inner joint. Trap is graduated to 5mL in 0.1mL increments.

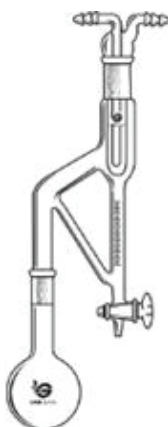
CATALOG NO.	DESCRIPTION	CAPACITY	QUANTITY / PACK	PRICE
LG-6656-100	Complete Apparatus		1	\$425.48
LG-6656-102	Clevenger Trap	5mL	1	\$198.57



## Volatile Oil Apparatus for Oils Lighter than Water in Drugs

This distilling apparatus is used to determine volatile oil in drugs by distillation of a weighed quantity of drug in contact with water. The Clevenger type receiver trap included in this apparatus is for use when the oils are lighter than water. Made of borosilicate glass, the complete apparatus includes a 300mL round bottom flask (LG-7221), a finger type condenser, and a trap/receiver. The condenser rests on top of the receiver. The receiver, graduated to 5mL with 0.1mL increments, has a tube connecting the lower part below the scale with the top of the vapor tube to return excess water to the flask. There is a discharge stopcock below the return tube. Flask and receiver are connected by a Standard Taper 24/40 joint.

CATALOG NO.	DESCRIPTION	CAPACITY	SUBDIVISIONS	QUANTITY / PACK	PRICE
LG-11125-100	Apparatus			1	\$247.72
LG-11125-102	Clevenger Trap	5mL	5mL in 1/10mL	1	\$181.55
LG-11125-104	Condenser			1	\$56.81



## Volatile Oil Distilling Apparatus for Oils Lighter than Water

Designed for oils lighter than water, this distilling apparatus is made of borosilicate glass and consists of a Clevenger-type trap with a Standard Taper 24/40 outer joint on top and same size inner joint the sidearm. Trap is graduated to 5mL in 0.1mL subdivisions. A 250mL long neck round bottom flask (LG-7221) and a cold finger condenser with a Standard Taper 24/40 inner joint complete the assembly.

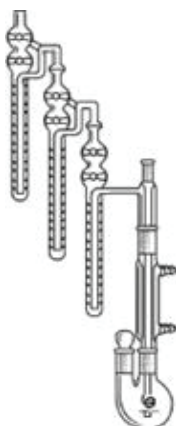
CATALOG NO.	DESCRIPTION	CAPACITY	JOINT	QUANTITY / PACK	PRICE
LG-6655-100	Complete Apparatus			1	\$425.48
LG-6655-102	Clevenger Trap	5mL	ST 24/40	1	\$190.67
LG-6655-104	Condenser		ST 24/40	1	\$89.61



## Continuous Reflux Apparatus

This continuous reflux borosilicate glass apparatus keeps solvents pure and free of oxygen. The modified solvent reservoir allows the preparation of pure, dry solvents in quantity. This equipment boasts several advantages over similar pieces such as: Solvent in reservoir is not re-heated by rising vapors in vapor tube and can be maintained at ambient temperature under nitrogen. Small samples of dry solvent may be removed via syringe using the upper septum stoppered PTFE stopcock port. Large quantities of solvent may be removed from side port into receiver with Standard Taper 24/40 ground glass joint. Solvent may be recycled through center PTFE stopcock to maintain very dry material. Complete system includes reservoir/head, boiling flask (LG-7291-254), vacuum jacketed distilling column (LG-5791-120), Allihn condenser (LG-4680-102), adapter (LG-1465-100) and heating mantle (LG-8887-112). Joints are Standard Taper 24/40.

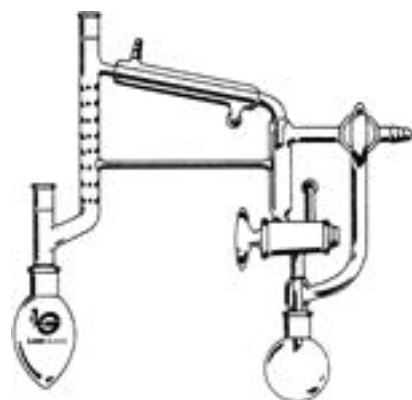
CATALOG NO.	DESCRIPTION	CAPACITY	JOINT	QUANTITY / PACK	PRICE
LG-6334T-100	Complete Apparatus	1000mL		1	\$1306.26
LG-6334T-110	Reservoir Head	500mL	ST 24/40	1	\$469.08
LG-1465-100	Inert Gas Adapter		ST 24/40	1	\$39.12
LG-4680-102	Allihn Condenser		ST 24/40	1	\$143.48
LG-5791-120	Hempel Column 19x300mm		ST 24/40	1	\$316.48



## Carbon Disulfide Evolution Distilling Apparatus

This borosilicate glass distilling apparatus is used to analyze dithiocarbamates by carbon disulfide evolution. Complete assembly has three absorber traps with 12/5 spherical joints and a distilling head with a Standard Taper 24/40 inner joint. Also supplied is a Liebig condenser with Standard Taper 24/40 inner and outer joints, a 250mL double neck round bottom flask (LG-7290-234), and a hollow pennyhead stopper (LG-10300-112). For clamps see LG-1045-104 or LG-4600-100. Reference: AOAC, Official Methods of Analysis, Vol 1, page 217

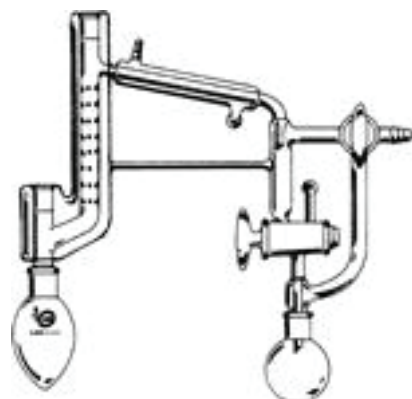
CATALOG NO.	DESCRIPTION	JOINT	QUANTITY / PACK	PRICE
LG-6676-100	Complete Distilling Apparatus		1	\$872.84
LG-6676-102	Potash Absorber Trap	SJ 12/5 inner	1	\$194.46
LG-6676-104	Lead Absorber Trap	SJ 12/5 outer	1	\$163.49
LG-6676-106	Lead Absorber Trap	SJ 12/5 inner - outer	1	\$218.03
LG-6676-108	Liebig Condenser, 130mm Length	ST 24/40	1	\$129.23
LG-6676-110	Distilling Head	ST 24/40 inner	1	\$100.35



## Claisen-Vigreux Distilling Adapter

Borosilicate glass distilling adapter is used for fractional distillations at reduced pressures. Complete unit consists of a 50mL pear-shaped distilling flask (ML-1160-718), a combination Claisen-Vigreux distilling head with attached condenser and vacuum distilling receiver, and one 25mL round bottom receiving flask (ML-1160-714). Vacuum adapter is provided with stopcocks so that the receiving flask may be removed and replaced without interrupting the distillation. The tops of both arms of the distilling head have Standard Taper 10/18 outer joints to accept thermometers calibrated for 40mm immersion and the flask connections are Standard Taper 14/20 joints.

CATALOG NO.	DESCRIPTION	QUANTITY / PACK	PRICE
ML-670-800	Complete Adapter	1	\$687.28
ML-670-802	Distilling Head	1	\$676.52



## Jacketed Claisen-Vigreux Distilling Adapter

Borosilicate glass distilling adapter is used for fractional distillations at reduced pressures. Complete unit consists of a 50mL pear-shaped distilling flask (ML-1160-718), a combination Claisen-Vigreux jacketed distilling head with attached condenser and vacuum distilling receiver (ML-675-802), and one 25mL round bottom receiving flask (ML-1160-714). Vacuum adapter is provided with stopcocks so that the receiving flask may be removed and replaced without interrupting the distillation. The tops of both arms of the distilling head have Standard Taper 10/18 outer joints to accept thermometers calibrated for 40mm immersion and the flask connections are Standard Taper 14/20 joints.

CATALOG NO.	QUANTITY / PACK	PRICE
ML-675-800	1	\$908.66

## ROTARY EVAPORATOR TRAPS



## Rotary Evaporator Connectors and Adapters

Adapter has a top outer Standard Taper joint of the listed size and a 20-400 G.P.I. thread on the bottom. A PTFE lined, polypropylene double threaded connector attaches a standard laboratory vial.

CATALOG NO.	DESCRIPTION	JOINT	THREADED CONNECTOR SIZE	QUANTITY / PACK	PRICE
LG-6879-110	Connector		13-425	1	\$19.73
LG-6879-112	Connector		20-400	1	\$24.86
LG-6879-116	Connector		24-400	1	\$35.34
LG-6879-120	Glass Adapter Only	ST 24/40		1	\$55.52
LG-6879-122	Glass Adapter Only	ST 29/26		1	\$78.24



## Rotary Evaporator Traps

The upper part of trap has a standard taper outer joint.

CATALOG NO.	CAPACITY	JOINT	QUANTITY / PACK	PRICE
LG-6880-100	100mL	ST 24/40 Upper, ST 14/20 Lower	1	\$135.89
LG-6880-102	100mL	ST 24/40 Upper, ST 19/22 Lower	1	\$134.44
LG-6880-104	100mL	ST 24/40 Upper, ST 24/40 Lower	1	\$134.95
LG-6880-105	100mL	ST 29/26 Upper, ST 29/26 Lower	1	\$148.53
LG-6880-106	250mL	ST 24/40 Upper, ST 14/20 Lower	1	\$139.47
LG-6880-108	250mL	ST 24/40 Upper, ST 19/22 Lower	1	\$142.48
LG-6880-110	250mL	ST 24/40 Upper, ST 24/40 Lower	1	\$138.45
LG-6880-114	250mL	ST 29/26 Upper, ST 29/26 Lower	1	\$142.70
LG-6880-115	250mL	ST 24/40 Upper, ST 29/26 Lower	1	\$143.10
LG-6880-116	500mL	ST 24/40 Upper, ST 24/40 Lower	1	\$154.54
LG-6880-117	500mL	ST 24/40 Upper, ST 29/26 Lower	1	\$145.47
LG-6880-118	500mL	ST 29/26 Upper, ST 29/26 Lower	1	\$147.70
LG-6880-120	1000mL	ST 24/40 Upper, ST 29/42 Lower	1	\$157.71



## Modified Rotary Evaporator Traps

Similar to LG-6880 except inner vapor tube is sealed to top of trap to prevent entry into the condenser. All top joints are ST 24/40.

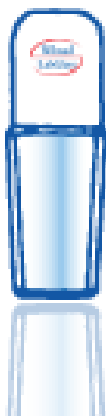
CATALOG NO.	CAPACITY	JOINT	QUANTITY / PACK	PRICE
LG-6880A-100	100mL	ST 14/20 Lower	1	\$141.66
LG-6880A-102	100mL	ST 24/40 Lower	1	\$132.90
LG-6880A-104	250mL	ST 14/20 Lower	1	\$133.52
LG-6880A-106	250mL	ST 24/40 Lower	1	\$137.94
LG-6880A-108	250mL	ST 29/42 Lower	1	\$138.74
LG-6880A-110	500mL	ST 14/20 Lower	1	\$134.15
LG-6880A-112	500mL	ST 24/40 Lower	1	\$137.94
LG-6880A-114	500mL	ST 29/42 Lower	1	\$138.74



## Rotary Evaporator Traps with Two 3mm Holes

Base of inner tube has two 3mm openings to allow drain-back of foam condensate to the evaporator Flask. Top joint is a Standard Taper outer.

CATALOG NO.	CAPACITY	JOINT	QUANTITY / PACK	PRICE
LG-6881-100	100mL	ST 24/40 Upper, ST 14/20 Lower	1	\$142.48
LG-6881-102	100mL	ST 24/40 Upper, ST 19/22 Lower	1	\$152.13
LG-6881-104	100mL	ST 24/40 Upper, ST 24/40 Lower	1	\$143.48
LG-6881-105	100mL	ST 29/26 Upper, ST 29/26 Lower	1	\$141.51
LG-6881-106	250mL	ST 24/40 Upper, ST 14/20 Lower	1	\$135.78
LG-6881-108	250mL	ST 24/40 Upper, ST 19/22 Lower	1	\$154.47
LG-6881-110	250mL	ST 24/40 Upper, ST 24/40 Lower	1	\$147.12
LG-6881-114	500mL	ST 24/40 Upper, ST 19/22 Lower	1	\$157.08
LG-6881-115	250mL	ST 24/40 Upper, ST 29/26 Lower	1	\$157.06
LG-6881-116	500mL	ST 24/40 Upper, ST 24/40 Lower	1	\$157.06
LG-6881-117	500mL	ST 24/40 Upper, ST 29/26 Lower	1	\$149.49
LG-6881-118	1000mL	ST 24/40 Upper, ST 24/40 Lower	1	\$151.18
LG-6881-120	1000mL	ST 24/40 Upper, ST 29/42 Lower	1	\$151.68



## Self Washing Evaporator Trap

CATALOG NO.	CAPACITY	JOINT	QUANTITY / PACK	PRICE
LG-6878-100	100mL	ST 24/40 to 14/20	1	\$133.83





## Bump Pear Shaped RotoVap Trap

Improved design returns condensate to evaporator flask. Pear shaped flask slope is similar to rotary evaporator angle.

CATALOG NO.	CAPACITY	JOINT	QUANTITY / PACK	PRICE
LG-6883-100	250mL	ST 24/40 Upper, ST 14/20 Lower	1	\$93.10
LG-6883-102	250mL	ST 24/40 Upper, ST 19/22 Lower	1	\$95.06
LG-6883-104	250mL	ST 24/40 Upper, ST 24/40 Lower	1	\$94.04



## Bump Adapter Evaporator Trap

With an extra coarse frit sealed between the outer upper joint and the lower inner joint this adapter prevents the contents in the flask from entering into the condenser when "bumping" occurs. All traps have a 24/40 top outer joint.

CATALOG NO.	JOINT	QUANTITY / PACK	PRICE
LG-6877-100	ST 14/20 Lower	1	\$98.82
LG-6877-102	ST 24/40 Lower	1	\$108.67
LG-6877-106	ST 29/42 Lower	1	\$114.76