

FLANGES

FEP-Coated Silicone O-Ring for Duran Flange

FEP-coated silicone O-rings are for use with Duran flanges (LG-14032).



CATALOG NO.	FITS FLANGE I.D.	QUANTITY / PACK	PRICE
LG-14033-302	100mm	1	\$64.07

Ground Flat Flange Joints

The mating end of these borosilicate glass joints have a flat flange with a finely ground face for a liquid light seal. Overall length is approximately 8". For use with horseshoe shaped clamp (LG-7316), sold separately.



CATALOG NO.	USE WITH CLAMP	O.D.	QUANTITY / PACK	PRICE
LG-1023-100	LG-7316-100	32mm	1	\$47.54
LG-1023-102	LG-7316-102	57mm	1	\$57.69
LG-1023-104	LG-7316-104	80mm	1	\$85.96
LG-1023-106	LG-7316-106	4 1/2"	1	\$119.21
LG-1023-108	LG-7316-108	5 1/2"	1	\$147.45



Ground Flat Flange Joints with O-Ring Groove

The mating end of these borosilicate glass joints has a precision-formed flat flange with recessed groove in the face which accepts an O-ring (LG-1022). Overall length is approximately 8". O-rings and clamps (LG-7316) not included.

CATALOG NO.	USE WITH CLAMP	FITS O-RING	O.D.	QUANTITY / PACK	PRICE
LG-1024-100	LG-7316-100	LG-1022-222	32mm	1	\$41.48
LG-1024-102	LG-7316-102	LG-1022-331	57mm	1	\$57.70
LG-1024-104	LG-7316-104	LG-1022-339	80mm	1	\$88.71
LG-1024-106	LG-7316-106	LG-1022-348	4.5"	1	\$117.22
LG-1024-108	LG-7316-108	LG-1022-359	5.5"	1	\$162.89

JOINTS



Full Length Outer Joints

These full length Standard Taper outer joints are manufactured from 33-expansion borosilicate glass and meet the requirements of ASTM standard E676. Bulb is located beneath ground portion.

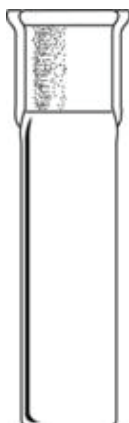
CATALOG NO.	JOINT	O.D.	QUANTITY / PACK	PRICE
LG-1001-104	ST 10/30	8mm	1	\$16.24
LG-1001-110	ST 19/38	17mm	1	\$15.66
LG-1001-112	ST 24/40	22mm	1	\$16.83
LG-1001-114	ST 29/42	28mm	1	\$18.71
LG-1001-116	ST 34/45	32mm	1	\$24.10
LG-1001-120	ST 45/50	41mm	1	\$37.69
LG-1001-126	ST 60/50	57mm	1	\$63.69



Full Length Straight-Sided Outer Ground Joints

These full length Standard Taper outer joints are manufactured from 33-expansion borosilicate glass and meet the requirements of ASTM standard E676. The outside of the ground portion and stems have approximately the same diameters. This construction facilitates clamping.

CATALOG NO.	JOINT	O.D.	QUANTITY / PACK	PRICE
LG-1003-104	ST 10/30	13mm	1	\$13.59
LG-1003-108	ST 14/35	17mm	1	\$15.61
LG-1003-110	ST 19/38	22mm	1	\$14.72
LG-1003-112	ST 24/40	28mm	1	\$14.77
LG-1003-114	ST 29/42	32mm	1	\$17.70
LG-1003-116	ST 34/45	38mm	1	\$23.92
LG-1003-120	ST 45/50	51mm	1	\$33.80
LG-1003-124	ST 55/50	57mm	1	\$50.73
LG-1003-126	ST 60/50	64mm	1	\$59.51



HVS Outer Joints with Large O.D. Tubing

These borosilicate glass high vacuum outer joints have a channel above the ground zone to accept the O-ring placed on an inner joint. They may also be used without an O-ring as a standard medium length outer joint.

CATALOG NO.	JOINT	TUBING O.D.	QUANTITY / PACK	PRICE
LG-1029-108	ST 24/25	28mm	1	\$35.20
LG-1029-112	ST 34/28	38mm	1	\$42.39



Full Length Inner Ground Joints

These full length Standard Taper inner joints are manufactured from 33-expansion borosilicate glass and meet the requirements of ASTM standard E 676.

CATALOG NO.	JOINT	TUBING O.D.	QUANTITY / PACK	PRICE
LG-1000-104	ST 10/30	8mm	1	\$10.11
LG-1000-108	ST 14/35	12mm	1	\$12.44
LG-1000-110	ST 19/38	17mm	1	\$13.22
LG-1000-112	ST 24/40	22mm	1	\$13.29
LG-1000-114	ST 29/42	28mm	1	\$14.39
LG-1000-116	ST 34/45	32mm	1	\$20.10
LG-1000-120	ST 45/50	41mm	1	\$29.68
LG-1000-124	ST 55/50	51mm	1	\$45.19
LG-1000-126	ST 60/50	57mm	1	\$55.46

Medium Length Straight-Sided Outer Ground Joints



The outside of the ground portion and the stem of these borosilicate glass ground joints have approximately the same diameter. This makes clamping easier.

CATALOG NO.	JOINT	TUBING O.D.	QUANTITY / PACK	PRICE
LG-1017-100	ST 5/12	8mm	1	\$14.90
LG-1017-104	ST 7/15	9mm	1	\$15.80
LG-1017-106	ST 10/18	13mm	1	\$14.00
LG-1017-110	ST 14/20	17mm	1	\$14.09
LG-1017-112	ST 19/22	22mm	1	\$14.22
LG-1017-114	ST 24/25	28mm	1	\$17.02
LG-1017-116	ST 29/26	32mm	1	\$18.43
LG-1017-118	ST 34/28	38mm	1	\$24.10
LG-1017-120	ST 40/35	45mm	1	\$33.88

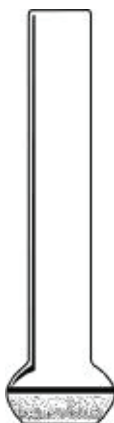
Spherical Ball Joints



Ball member spherical joints manufactured from 33-expansion borosilicate glass meet the requirements of ASTM specification E 677.

CATALOG NO.	CLAMP SIZE	JOINT	TUBING O.D.	QUANTITY / PACK	PRICE
LG-1040-110	12/12A	SJ 12/5	8mm	1	\$15.61
LG-1040-114	18/18A	SJ 18/7	10mm	1	\$16.00
LG-1040-116	18/18A	SJ 18/9	12.7mm	1	\$15.17
LG-1040-118	28	SJ 28/12	15mm	1	\$15.86
LG-1040-120	28	SJ 28/15	19mm	1	\$15.36
LG-1040-122	35	SJ 35/20	22mm	1	\$18.13
LG-1040-124	35	SJ 35/25	28mm	1	\$19.23
LG-1040-128	50	SJ 50/30	35mm	1	\$40.75
LG-1040-130	65	SJ 65/40	46mm	1	\$61.17
LG-1040-132	75	SJ 75/50	54mm	1	\$90.52
LG-1040-134	102	SJ 102/75	80mm	1	\$130.98

HVS Ball Joints with Viton O-Ring



High vacuum borosilicate glass inner joints have a groove above the ground zone for a Viton O-ring. This forms a vacuum-tight seal when used with a mating socket joint. No lubricants required. Twist to assemble or disassemble.

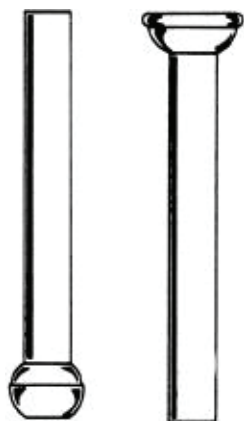
CATALOG NO.	JOINT	O-RING CODE	O-RING SIZE	TUBING O.D.	QUANTITY / PACK	PRICE
LG-1042-112	SJ 35/20	LG-1022-554	217	22mm	1	\$41.07
LG-1042-114	SJ 35/25	LG-1022-554	217	28mm	1	\$41.07

Spherical Ball Joints with O-Ring



Placement of the O-ring in the ground surface of these borosilicate glass ball joints provides a flexible, grease-free connection. They are suitable for high vacuum applications and include a Viton O-ring (LG-1022).

CATALOG NO.	CLAMP SIZE	JOINT	O-RING CODE	O-RING SIZE	TUBING O.D.	QUANTITY / PACK	PRICE
LG-1044-116	18	SJ 18/9	LG-1022-524	112	12mm	1	\$17.58
LG-1044-120	28	SJ 28/15	LG-1022-534	116	22mm	1	\$20.16



Quartz Spherical Ball and Socket Joints

These spherical ball and socket joints are manufactured from clear fused quartz. For clamps, see LG-1045-series and LG-4600-series.

CATALOG NO.	CLAMP SIZE	JOINT	QUANTITY / PACK	PRICE
LG-10865-200	12/12A	SJ 12/5	1	\$94.32
LG-10865-202	28	SJ 18/9	1	\$62.88
LG-10865-204	35	SJ 28/15	1	\$78.62
LG-10865-206	50	SJ 35/25	1	\$124.51
LG-10865-300	12/12A	SJ 12/5	1	\$94.32
LG-10865-302	28	SJ 18/9	1	\$62.88
LG-10865-304	35	SJ 28/15	1	\$94.32
LG-10865-306	50	SJ 35/25	1	\$157.20

Spherical Socket Joints

Socket member spherical joints are manufactured from 33-expansion borosilicate glass and meet the requirements of ASTM specification E 677.



CATALOG NO.	CLAMP SIZE	JOINT	TUBING O.D.	QUANTITY / PACK	PRICE
LG-1041-110	12/12A	SJ 12/5	8mm	1	\$15.33
LG-1041-114	18/18A	SJ 18/7	10mm	1	\$16.00
LG-1041-116	28	SJ 18/9	12.7mm	1	\$15.00
LG-1041-118	28	SJ 28/12	15mm	1	\$15.44
LG-1041-120	35	SJ 28/15	19mm	1	\$15.61
LG-1041-122	35	SJ 35/20	22mm	1	\$17.79
LG-1041-124	50	SJ 35/25	28mm	1	\$18.55
LG-1041-128	46	SJ 50/30	35mm	1	\$38.43
LG-1041-130	54	SJ 65/40	46mm	1	\$64.09
LG-1041-132	75	SJ 75/50	54mm	1	\$81.20
LG-1041-134	102	SJ 102/75	80mm	1	\$103.86



Full Length Inner Joints with Viton O-Ring

These full length inner joints with groove in the ground zone are used with the supplied Viton® O-ring (LG-1022) in vacuum applications. Lubrication is not required.

CATALOG NO.	JOINT	O-RING SIZE	TUBING O.D.	QUANTITY / PACK	PRICE
LG-1013-100	ST 24/40	115	22mm	1	\$41.14
LG-1013-102	ST 29/42	118	28mm	1	\$46.18
LG-1013-104	ST 45/50	128	41mm	1	\$59.08



Vacuum-Type Joints with Viton O-Ring

The mating end of these joints has a precision tooled unground face with a groove that accepts a standard Viton® O-ring (LG-1022) - included. They are vacuum type, will not stick, require no lubricants, and are easily joined with the same clamps used for regular ball and socket joints.

CATALOG NO.	CLAMP SIZE	I.D.	O-RING SIZE	O.D.	QUANTITY / PACK	PRICE
LG-1021-100	12	5mm	110	8mm	1	\$10.40
LG-1021-102	18	7mm	111	10mm	1	\$11.09
LG-1021-104	18	9mm	112	12mm	1	\$12.13
LG-1021-106	28	15mm	116	18mm	1	\$12.82
LG-1021-108	35	20mm	214	22mm	1	\$15.56
LG-1021-110	35	25mm	217	28mm	1	\$15.56
LG-1021-112	50	30mm	223	35mm	1	\$26.83
LG-1021-114	65	40mm	226	45mm	1	\$38.82
LG-1021-116	75	50mm	229	2-1/4"	1	\$55.54
LG-1021-118	102	75mm	341	3-1/4"	1	\$70.80



HVS Standard Taper Inner Joints with Viton O-Ring

Used in laboratory equipment and instruments, these Standard Taper high vacuum inner joints are made of borosilicate glass and have a groove above the ground zone for a Viton® O-ring. This forms a vacuum-tight seal when used with a mating outer joint. No lubricants are required. Just twist to assemble or disassemble. Supplied with a Viton® O-ring.

CATALOG NO.	O-RING SIZE	O-RING CODE LG-1022	JOINT SIZE	TUBING O.D.	QUANTITY / PACK	PRICE
LG-1027-108	117	-531	ST 24/25	22mm	1	\$27.72
LG-1027-110	119	-535	ST 29/26	25mm	1	\$31.26
LG-1027-112	216	-553	ST 34/28	32mm	1	\$39.20
LG-1027-116	222	-557	ST 45/35	41mm	1	\$58.82



HVS Standard Taper Outer Joints with Viton O-Ring

Used in laboratory equipment and instruments, these Standard Taper high vacuum outer joints are made of borosilicate glass and have a channel above the ground zone to accept the O-ring placed on an inner joint. May be used without O-ring as a standard medium length outer joint.

CATALOG NO.	TUBING O.D.	JOINT SIZE	QUANTITY / PACK	PRICE
LG-1028-108	22mm	ST 24/25	1	\$29.01
LG-1028-110	25mm	ST 29/26	1	\$32.94
LG-1028-116	41mm	ST 45/35	1	\$60.48

Open Top Caps

These open top caps have a hole in center and are available with various thread sizes and apertures. GL 14 and 18 fit hose connectors LG-10818.



CATALOG NO.	APERTURE SIZE	THREADED CONNECTOR SIZE	QUANTITY / PACK	PRICE
LG-10818-110	9.5mm	GL 14	1	\$2.39
LG-10818-112	11.0mm	GL 18	1	\$2.61
LG-10818-114	15.0mm	GL 25	1	\$2.92

Silicone Rubber Sealing Rings for LG-1456 Adapter

Silicone rubber sealing ring has a vulcanized-on PTFE washer and an aperture that fits the tubing sizes 5.5-6.5mm. It provides a PTFE to glass seal that is excellent for vacuum applications and provides vertical adjustment for thermometers, bleed tubes, etc. Used with LG-10818-series open top GL cap, size 14.



CATALOG NO.	QUANTITY / PACK	PRICE
LG-14038-100	1	\$3.68

Threaded Glass Connector

Used instead of ground glass joints, these borosilicate glass connectors have internal threads.



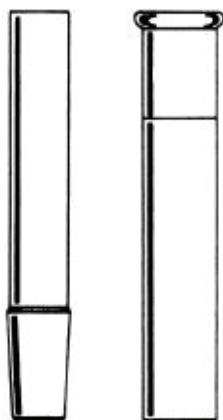
CATALOG NO.	ACCEPT TUBING OUTSIDE DIAMETER	THREAD SIZE	TUBING O.D.	QUANTITY / PACK	PRICE
LG-2075-100	6-7mm	7mm	12.5mm	1	\$16.91
LG-2075-102	9-10.5mm	11mm	16mm	1	\$24.55
LG-2075-104	12.5-14mm	15mm	23mm	1	\$26.83
LG-2075-108	24-25mm	25mm	32mm	1	\$33.23
LG-2075-110	34-35mm	36mm	45mm	1	\$73.49
LG-2075-112	47-48mm	50mm	57mm	1	\$77.55



Rodavis Style Cap Assemblies

The connection of these Rodavis style borosilicate glass joints are made with a threaded outer joint, inner joint, connecting melamine cap, and Viton O-ring. If the joint seizes from solute formation, unscrew the connecting cap onto the O-ring. Joint will easily separate.

CATALOG NO.	DESCRIPTION	JOINT/CAP SIZE	QUANTITY / PACK	PRICE
LG-1047-100	Outer Joint	ST 14/20	1	\$14.74
LG-1047-102	Outer Joint	ST 19/22	1	\$15.16
LG-1047-104	Outer Joint	ST 24/40	1	\$15.44
LG-1047-106	Outer Joint	ST 29/42	1	\$22.76
LG-1048-100	Inner Joint	ST 14/20	1	\$14.33
LG-1048-102	Inner Joint	ST 19/22	1	\$14.74
LG-1048-104	Inner Joint	ST 24/40	1	\$15.16
LG-1048-106	Inner Joint	ST 29/42	1	\$21.92
LG-1049-100	Connecting Cap w/Viton® O-rings	ST 14	1	\$8.80
LG-1049-102	Connecting Cap w/Viton® O-rings	ST 19	1	\$10.38
LG-1049-104	Connecting Cap w/Viton® O-rings	ST 24	1	\$11.94
LG-1049-106	Connecting Cap w/Viton® O-rings	ST 29	1	\$15.09



Quartz Full Length Outer Joints

These Standard Taper full length joints are manufactured from clear fused quartz.

CATALOG NO.	DESCRIPTION	JOINT	TUBING I.D.	TUBING O.D.	QUANTITY / PACK	PRICE
LG-10864-208	Inner Joint	ST 24/40	18mm	21.6mm	1	\$69.45
LG-10864-210	Inner Joint	ST 29/42	22mm	25.8mm	1	\$71.05
LG-10864-212	Inner Joint	ST 34/45	28mm	32.0mm	1	\$100.29
LG-10864-214	Inner Joint	ST 45/50	38mm	42.0mm	1	\$152.27
LG-10864-308	Outer Joint	ST 24/40	18mm	21.6mm	1	\$79.59
LG-10864-310	Outer Joint	ST 29/42	22mm	25.8mm	1	\$82.40
LG-10864-312	Outer Joint	ST 34/45	28mm	32.0mm	1	\$176.34
LG-10864-314	Outer Joint	ST 45/50	38mm	42.0mm	1	\$136.96



PTFE Joint Sleeves

Made of PTFE with a nominal thickness of 0.003", these sleeves are fitted onto Standard Taper inner joints to prevent "freezing" of assembled joints.

CATALOG NO.	JOINT	QUANTITY / PACK	PRICE
LG-1038T-100	ST 10/30	1	\$14.06
LG-1038T-104	ST 14/20	1	\$14.06
LG-1038T-108	ST 19/22	1	\$14.99
LG-1038T-110	ST 19/38	1	\$15.64
LG-1038T-112	ST 24/25	1	\$15.64
LG-1038T-114	ST 24/40	1	\$15.84
LG-1038T-116	ST 29/26	1	\$18.34
LG-1038T-118	ST 29/42	1	\$17.89
LG-1038T-122	ST 34/45	1	\$20.14
LG-1038T-126	ST 45/50	1	\$22.03
LG-1038T-130	ST 55/50	1	\$30.42



Rigid PTFE Joint Sleeves

These rigid sleeves provide grease-free, high vacuum seals using standard ground glass joints. Made from PTFE with substantial shoulder for ease of handling.

CATALOG NO.	JOINT	QUANTITY / PACK	PRICE
LG-1039T-102	ST 14/20	1	\$9.09
LG-1039T-110	ST 24/40	1	\$14.93
LG-1039T-112	ST 29/42	1	\$16.92
LG-1039T-116	ST 45/50	1	\$31.51
LG-1039T-118	ST 55/50	1	\$37.75



Open Top Bushing/Threaded Glass Connectors

These borosilicate glass connectors are open-ended, have external threads, and are available in Nylon and PTFE. They are for use with threaded glass connectors (LG-2075) for connection to reducing end tubes. One Viton O-ring included.

CATALOG NO.	ACCEPTS TUBING O.D.	THREADED CONNECTOR SIZE	MATERIAL TYPE	QUANTITY / PACK	PRICE
LG-2079-100	6-7mm	GL 7	Nylon	1	\$3.92
LG-2079-102	9-10.5mm	GL 11	Nylon	1	\$30.52
LG-2079-104	12.5-14mm	GL 15	Nylon	1	\$23.01
LG-2079-200	6-7mm	GL 7	PTFE	1	\$17.91
LG-2079-202	9-10.5mm	GL 11	PTFE	1	\$45.42
LG-2079-204	12.5-14mm	GL 15	PTFE	1	\$50.88

PTFE Threaded Connector Plugs

Made of PTFE, these screw plugs are used as stoppers for threaded glass connectors (LG-2075). They include one Viton O-ring.



CATALOG NO.	THREAD SIZE	QUANTITY / PACK	PRICE
LG-2088-202	11mm	1	\$39.63
LG-2088-204	15mm	1	\$48.66
LG-2088-206	25mm	1	\$68.24
LG-2088-208	50mm	1	\$196.13

HOSE CONNECTORS



Serrated Hose Tube Connectors

Serrations are tooled in reverse on one end of tube of hose connectors so that the largest serration is at the end. The borosilicate glass tube is merely to act as a convenient means of holding the serrated portion while it is being sealed to an apparatus. When seal is completed, the tube is cut off and discarded. The diameter given is that of the smallest serration.

CATALOG NO.	DIAMETER	QUANTITY / PACK	PRICE
LG-10842-100	5/16"	1	\$4.80
LG-10842-102	3/8"	1	\$4.42
LG-10842-104	1/2"	1	\$4.76

GRADED SEALS



Graded Seal Tubes

Used to connect glass to metal, the Kovar® tube is polished and fabricated to avoid sharp edges and is sealed to a 4-1/8" borosilicate glass tube. Overall complete tube length is 5-1/4".

CATALOG NO.	O.D.	QUANTITY / PACK	PRICE
LG-10860-102	1/8"	1	\$127.63
LG-10860-104	3/16"	1	\$109.61
LG-10860-106	1/4"	1	\$104.92
LG-10860-110	3/8"	1	\$105.35
LG-10860-112	1/2"	1	\$107.39
LG-10860-118	3/4"	1	\$128.83
LG-10860-122	1"	1	\$156.90

PLATE GLASS



Borosilicate Square Plate Glass

Ground and polished on both sides, these borosilicate glass squares are heat and chemically resistant and have edges that are ground.

NOTE: Also available in circular or rectangular shapes, or manufactured from Quartz.

CATALOG NO.	DIMENSIONS	ITEM THICKNESS	QUANTITY / PACK	PRICE
LG-9395-100	2 x 2"	1/8" ±1/32"	1	\$7.34
LG-9395-102	3 x 3"	1/8" ±1/32"	1	\$10.72
LG-9395-104	4 x 4"	1/8" ±1/32"	1	\$15.21
LG-9395-108	6 x 6"	1/8" ±1/32"	1	\$36.34
LG-9395-112	8 x 8"	1/8" ±1/32"	1	\$61.17
LG-9395-118	11 x 11"	1/8" ±1/32"	1	\$99.19
LG-9395-120	12 x 12"	1/8" ±1/32"	1	\$113.19
LG-9395-138	6 x 6"	1/4" ±1/32"	1	\$34.81
LG-9395-142	8 x 8"	1/4" ±1/32"	1	\$55.60

SPRINGS



Stainless Steel Springs Coils

Made of stainless steel, these spring coils are used to connect laboratory glassware Standard Taper joints that have glass hooks. Available in a variety of sizes, they are sold individually.

CATALOG NO.	DIAMETER OF COIL	FITS JOINT	OVERALL LENGTH	SIZE	QUANTITY / PACK	PRICE
LG-1035-099	4mm	ST 5/20 to ST 14/20	18mm	10mm	1	\$3.83
LG-1035-100	5mm	ST 5/20 to ST 19/22	26mm	18mm	1	\$4.46
LG-1035-102	5mm	ST 19/38 to ST 34/28	32mm	24mm	1	\$4.59
LG-1035-104	5mm	ST 34/45 to ST 50/50	38mm	30mm	1	\$4.48
LG-1035-106	8mm	ST 40/50 to ST 60/50	46mm	35mm	1	\$4.79

STOPCOCKS (NO GLASS JOINTS)

Stopcocks and Plugs

Plugs are PTFE and have a 1:5 taper.



CATALOG NO.	DESCRIPTION	DIAMETER OF PLUG AT CENTER	LENGTH OF BARREL	STOPCOCK BORE DIAMETER	STEM O.D.	QUANTITY / PACK	PRICE
LG-9605T-104	Complete	11mm	25mm	2mm	8mm	1	\$47.41
LG-9605T-106	Complete	15.2mm	30mm	3mm	10mm	1	\$75.29
LG-9605T-108	Complete	15.2mm	30mm	4mm	10mm	1	\$74.65
LG-9605T-112	Complete	16mm	35mm	6mm	12mm	1	\$89.50
LG-9605T-114	Complete	24mm	40mm	8mm	10mm	1	\$178.92
LG-9605T-116	Complete	24mm	40mm	10mm	16mm	1	\$193.75
LG-9607T-100	Plug Only	11mm	25mm	1mm		1	\$19.45
LG-9607T-102	Plug Only	11mm	25mm	1.5mm		1	\$33.01
LG-9607T-104	Plug Only	11mm	25mm	2mm		1	\$19.26
LG-9607T-106	Plug Only	15.2mm	30mm	3mm		1	\$25.46
LG-9607T-108	Plug Only	15.2mm	30mm	4mm		1	\$22.51
LG-9607T-110	Plug Only	16mm	35mm	5mm		1	\$31.84
LG-9607T-112	Plug Only	16mm	35mm	6mm		1	\$32.85
LG-9607T-114	Plug Only	24mm	40mm	8mm		1	\$112.57
LG-9607T-116	Plug Only	24mm	40mm	10mm		1	\$120.64

Stopcocks with Metering Valve

Straight 1:5 taper PTFE stopcock with a threaded needle valve that extends through the bore of the plug; it can be used as a valve within the stopcock to control flow while using the stopcock for on-off control.

LG-9609 is a replacement washer and O-ring set for LG-9606T and includes one PTFE washer and the two required O-rings.



CATALOG NO.	DESCRIPTION	DIAMETER OF PLUG AT CENTER	LENGTH OF BARREL	STOPCOCK BORE DIAMETER	STEM O.D.	QUANTITY / PACK	PRICE
LG-9606T-100	Complete	11mm	25mm	2mm	8mm	1	\$114.43
LG-9606T-102	Complete	15.2mm	30mm	4mm	10mm	1	\$141.35
LG-9608T-102	Plug Only	11mm	25mm	2mm		1	\$76.98
LG-9608T-104	Plug Only	15.2mm	30mm	4mm		1	\$81.11
LG-9609-100	PTFE Washer and O-Ring Set			2mm		1	\$15.91
LG-9609-102	PTFE Washer and O-Ring Set			4mm		1	\$17.51

Oblique Bore Hollow Stopcocks

LG-10090 has a hollow plug with an oblique bore to connect the two stems, and a single hole 90° from the lower duct opening. This hole is used to connect the lower stem and chamber to evacuate the latter.



CATALOG NO.	DIAMETER OF PLUG AT CENTER	LENGTH OF BARREL	STOPCOCK BORE DIAMETER	STEM O.D.	QUANTITY / PACK	PRICE
LG-10090-104	20mm	52mm	6mm	12mm	1	\$219.30
LG-10090-108	30mm	75mm	10mm	16mm	1	\$297.34

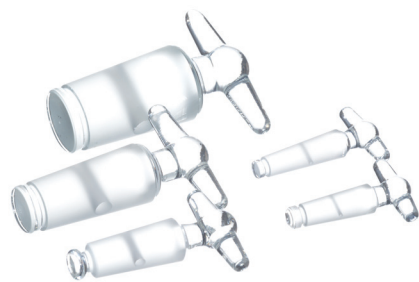


Straight Bore Stopcocks with Threaded Plug

The assembly consists of a glass barrel, a solid glass plug threaded at the small end, a PTFE washer, a Viton® O-ring and a PTFE nut. The washer is placed on the plug first, then the O-ring, then the nut. This assembly allows a uniform seating tension to be maintained on the glass plug when the PTFE nut is tightened. Can be used for either pressure or vacuum applications.

CATALOG NO.	DIAMETER OF PLUG AT CENTER	LENGTH OF BARREL	STOPCOCK BORE DIAMETER	STEM O.D.	QUANTITY / PACK	PRICE
LG-10184-100	12mm	30mm	2mm	8mm	1	\$76.65
LG-10184-102	17mm	40mm	4mm	10mm	1	\$104.80
LG-10184-104	20mm	44mm	6mm	12mm	1	\$129.52
LG-10184-106	25mm	52mm	8mm	16mm	1	\$146.76
LG-10184-108	35mm	56mm	10mm	16mm	1	\$193.35

Straight Bore Stopcocks with Glass Plug



These borosilicate glass straight bore stopcocks with straight sidearms include stopcock plugs and barrels that are ground to interchangeable Standard Taper specifications. Plugs (also sold separately) are solid and have a 1:10 taper.

CATALOG NO.	DESCRIPTION	BARREL LENGTH	CENTER PLUG DIAMETER	SIDEARM O.D.	STOPCOCK BORE SIZE	QUANTITY / PACK	PRICE
LG-9600-100	Complete Stopcock	30mm	12mm	8mm	ST 1mm	1	\$51.82
LG-9600-102	Complete Stopcock	30mm	12mm	8mm	ST 2mm	1	\$45.76
LG-9600-104	Complete Stopcock	38mm	12mm	8mm	ST 2mm	1	\$64.26
LG-9600-106	Complete Stopcock	40mm	17mm	10mm	ST 3mm	1	\$60.70
LG-9600-108	Complete Stopcock	40mm	17mm	10mm	ST 4mm	1	\$56.20
LG-9600-110	Complete Stopcock	44mm	20mm	12mm	ST 5mm	1	\$64.38
LG-9600-112	Complete Stopcock	44mm	20mm	12mm	ST 6mm	1	\$69.86
LG-9600-114	Complete Stopcock	52mm	25mm	16mm	ST 8mm	1	\$111.21
LG-9600-116	Complete Stopcock	56mm	35mm	16mm	ST 10mm	1	\$140.36
LG-9600-118	Complete Stopcock	56mm	35mm	25mm	ST 15mm	1	\$267.18
LG-9601-104	Plug Only	30mm	12mm		ST 1mm	1	\$26.77
LG-9601-106	Plug Only	30mm	12mm		ST 2mm	1	\$25.69
LG-9601-108	Plug Only	38mm	12mm		ST 2mm	1	\$25.84
LG-9601-110	Plug Only	40mm	17mm		ST 3mm	1	\$26.77
LG-9601-114	Plug Only	44mm	20mm		ST 5mm	1	\$36.92
LG-9601-118	Plug Only	52mm	25mm		ST 8mm	1	\$75.52
LG-9601-120	Plug Only	56mm	35mm		ST 10mm	1	\$89.12
LG-9601-122	Plug Only	56mm	35mm		ST 15mm	1	\$133.26

Plugs for Straight Bore HiVac Stopcocks

Solid glass plug with a single straight bore.



CATALOG NO.	DIAMETER OF PLUG AT CENTER	LENGTH OF BARREL	STOPCOCK BORE DIAMETER	STEM O.D.	QUANTITY / PACK	PRICE
LG-9940-100	12mm	38mm	2mm	8mm	1	\$61.92
LG-9940-106	17mm	44mm	4mm	10mm	1	\$75.16
LG-9940-108	20mm	44mm	6mm	12mm	1	\$100.53

Plugs for Single Oblique Bore HiVac Stopcocks

The body of the glass plug is hollow except for a single oblique duct.



CATALOG NO.	DIAMETER OF PLUG AT CENTER	LENGTH OF BARREL	STOPCOCK BORE DIAMETER	STEM O.D.	QUANTITY / PACK	PRICE
LG-9961-200	12.6mm	40mm	2mm	8mm	1	\$134.87
LG-9961-204	17.35mm	50mm	4mm	10mm	1	\$123.50

HiVac Valve Straight PTFE Plugs

The barrel of the valve has two side arms attached at 180° to each other and on the same plane. The design of the cap and the valve stem provide a non-rotating primary seal.



CATALOG NO.	DESCRIPTION	STOPCOCK BORE DIAMETER	SIDEARM O.D.	SIDEARM WALL	QUANTITY / PACK	PRICE
LG-10282-100	Complete	0-4mm	9mm	1.5mm	1	\$91.90
LG-10282-102	Complete	0-8mm	13mm	1.6mm	1	\$145.90
LG-10282-104	Complete	0-12mm	16mm	1.6mm	1	\$173.76



HiVac Valve Right Angle PTFE Plugs

The barrel of the valve has two side arms attached at 90° to each other and on the same plane. The design of the cap and the valve stem provide a non-rotating primary seal.

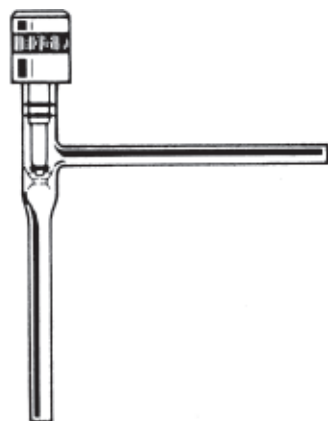
CATALOG NO.	DESCRIPTION	STOPCOCK BORE DIAMETER	SIDEARM O.D.	SIDEARM WALL	QUANTITY / PACK	PRICE
LG-10283-100	Complete	0-4mm	9mm	1.5mm	1	\$91.00
LG-10283-102	Complete	0-8mm	13mm	1.6mm	1	\$142.72
LG-10283-104	Complete	0-12mm	16mm	1.6mm	1	\$143.89



HiVac Valves with Straight PTFE Plug

These high vacuum valves have a barrel with two side arms attached at a 180° angle to each other and on the same plane. The borosilicate glass valve body features a precision-formed tapered valve seat and a precision tooled external thread. The design of cap (made of Delrin®) and valve stem provides a non-rotating primary seal. Interchangeable between valves of the same bore size, valve plugs have two PTFE seal rings that enclose Viton® O-rings. This prevents exposure of the O-rings to corrosive gases and liquids. An additional Viton® O-ring behind the PTFE seal rings ensures the vacuum seal. The tip of the valve plug has a machined O-ring shape and makes the primary seal to the barrel valve seat.

CATALOG NO.	SIDEARM O.D.	SIDEARM WALL	STOPCOCK BORE SIZE	QUANTITY / PACK	PRICE
LG-10285-100	9mm	1.5mm	0 - 4mm PTFE	1	\$105.41
LG-10285-102	13mm	1.6mm	0 - 8mm PTFE	1	\$160.23
LG-10285-104	16mm	1.6mm	0 - 12mm PTFE	1	\$171.14



HiVac Valves with Right Angle PTFE Plug

The barrel of the valve has two side arms attached at a 90° angle to each other. An additional Viton O-ring behind the PTFE seal rings ensures the vacuum seal.

CATALOG NO.	DESCRIPTION	BORE RANGE	SIDEARM O.D.	SIDEARM WALL	QUANTITY / PACK	PRICE
LG-10286-100	Complete	0-4mm	9mm	1.5mm	1	\$89.83
LG-10286-102	Complete	0-8mm	13mm	1.6mm	1	\$117.65
LG-10286-104	Complete	0-12mm	16mm	1.6mm	1	\$136.89

HiVac Valves with Low Hold PTFE Plug

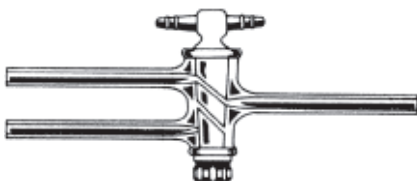


High vacuum valve with a three-way configuration that can be used in the manufacturing of manifolds, adapters, etc. An additional Viton O-ring behind the PTFE seal rings ensures the vacuum seal.

CATALOG NO.	DESCRIPTION	BORE RANGE	SIDEARM O.D.	SIDEARM WALL	QUANTITY / PACK	PRICE
LG-10288-100	Complete	0-4mm	9mm	1.5mm	1	\$115.83
LG-10288-102	Complete	0-8mm	13mm	1.6mm	1	\$188.09
LG-10288-104	Complete	0-12mm	16mm	1.6mm	1	\$166.46

Double Oblique Stopcocks

Stopcock; PTFE plug with two parallel diagonal (oblique) bores.



CATALOG NO.	DESCRIPTION	BORE SIZE	SIDEARM O.D.	PLUG SIZE	QUANTITY / PACK	PRICE
LG-9665T-102	Complete	2mm	8mm	12.9 x 44mm	1	\$113.73
LG-9665T-104	Complete	3mm	10mm	14.4 x 44mm	1	\$126.69
LG-9665T-106	Complete	4mm	10mm	14.4 x 44mm	1	\$133.02

T-Bore Stopcocks with PTFE Plug

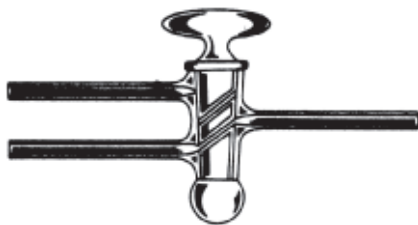
Three stems sealed to barrel 90° apart to form a "T". Includes PTFE plug with T-shaped bore so any two or all three stems can be connected at one time.



CATALOG NO.	DESCRIPTION	BORE SIZE	SIDEARM O.D.	PLUG SIZE	QUANTITY / PACK	PRICE
LG-9685T-100	Complete	2mm	8mm	15.2 x 30mm	1	\$113.42
LG-9685T-102	Complete	4mm	10mm	16 x 35mm	1	\$134.56

Double Oblique Hollow Bore Stopcocks

Two stems on one side of barrel, a third stem on the opposite side and two oblique bores in the hollow glass plug.



CATALOG NO.	PLUG SIZE	LENGTH OF BARREL	STEM O.D.	DIAMETER OF PLUG AT CENTER	QUANTITY / PACK	PRICE
LG-10110-100	2mm	50mm	8mm	14.5mm	1	\$174.76
LG-10110-102	4mm	56mm	10mm	16.2mm	1	\$209.61

T-Shaped T-Bore Stopcocks

Three stems sealed 90° apart to form a T; threaded glass plug which consists of a PTFE washer, Viton O-ring and a PTFE nut. Can be used for either pressure or vacuum applications.



CATALOG NO.	DESCRIPTION	BORE SIZE	LENGTH OF BARREL	STEM O.D.	DIAMETER OF PLUG AT CENTER	QUANTITY / PACK	PRICE
LG-10214-100	T-Shaped	2mm	40mm	8mm	17mm	1	\$150.57
LG-10214-102	T-Shaped	4mm	44mm	10mm	20mm	1	\$167.73
LG-10214-104	T-Shaped	6mm	52mm	12mm	25mm	1	\$218.07

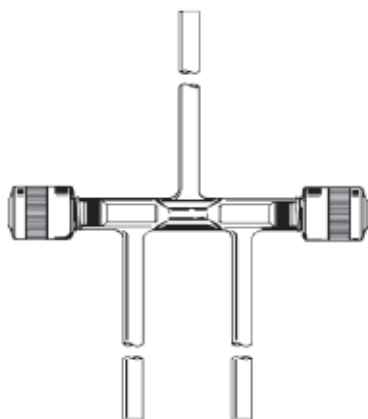
Replacement Parts for HiVac Valves

Designed with a three-way configuration that can be used when manufacturing manifolds and adapters, the valves feature precision-formed tapered valve seats and tooled external threads. The design of the cap and the valve stem provide a non-rotating primary seal.

The valve stems are completely interchangeable between valves of the same bore size.



CATALOG NO.	DESCRIPTION	BORE RANGE	QUANTITY / PACK	PRICE
LG-10290-110	Plug Assembly	0-4mm	1	\$45.18
LG-10290-112	Plug Assembly	0-8mm	1	\$63.23
LG-10290-114	Plug Assembly	0-12mm	1	\$85.57
LG-10290-100	Viton O-Ring Set	0-4mm	1	\$2.70
LG-10290-102	Viton O-Ring Set	0-8mm	1	\$4.49
LG-10290-104	Viton O-Ring Set	0-12mm	1	\$6.81



3-Way HiVac Valves with PTFE Plug

High vacuum valve with a three-way configuration that can be used in the manufacturing of manifolds, adapters, etc. An additional Viton O-ring behind the PTFE seal rings ensures the vacuum seal.

CATALOG NO.	DESCRIPTION	BORE RANGE	SIDEARM O.D.	SIDEARM WALL	QUANTITY / PACK	PRICE
LG-10289-100	Complete	0-4mm	9mm	1.5mm	1	\$214.38
LG-10289-102	Complete	0-8mm	13mm	1.6mm	1	\$270.09



Replacement Parts for LG-10282 and 10283

These replacement parts are for use with high vacuum, PTFE stopcocks (LG-10282 and LG-10283). Viton® O-Rings Sets and Plug Assembly sets are available in three different sizes.

CATALOG NO.	DESCRIPTION	STOPCOCK BORE SIZE	QUANTITY / PACK	PRICE
LG-10284-100	Replacement O-Ring Set	0 - 4mm PTFE	1	\$5.98
LG-10284-102	Replacement O-Ring Set	0 - 8mm PTFE	1	\$5.59
LG-10284-104	Replacement O-Ring Set	0 - 12mm PTFE	1	\$7.05
LG-10284-110	Replacement PTFE Plug Assembly Set	0 - 4mm PTFE	1	\$25.96
LG-10284-112	Replacement PTFE Plug Assembly Set	0 - 8mm PTFE	1	\$41.77
LG-10284-114	Replacement PTFE Plug Assembly Set	0 - 12mm PTFE	1	\$48.81

Retainer Clips

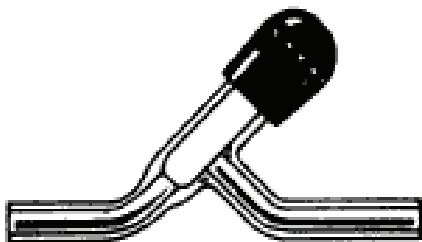
Used to keep plug in place with a constant sealing pressure.



CATALOG NO.	DESCRIPTION	BORE RANGE	QUANTITY / PACK	PRICE
LG-9604-100	Clip Size 1	1-2mm	1	\$0.59
LG-9604-104	Clip Size 4	4mm	1	\$0.88

180 Degree Rotaflo Stopcocks

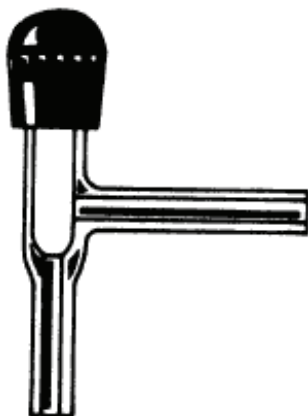
An all-purpose stopcock that can be used for routine or high vacuum applications. Only borosilicate glass and PTFE contact the sample. Will handle liquids or gases at system temperatures of -20 to 200° C.



CATALOG NO.	BORE RANGE	STEM O.D.	QUANTITY / PACK	PRICE
LG-10240-100	0-3mm	8mm	1	\$110.09
LG-10240-102	0-6mm	10mm	1	\$145.65
LG-10240-104	0-10mm	13mm	1	\$173.55

90 Degree Rotaflo Stopcocks

Contact surfaces are PTFE and borosilicate glass. Designed for routine and high vacuum use. Stems are in the same plane but positioned at right angles to each other. Can be used at temperatures from -20 to 200° C.



CATALOG NO.	BORE RANGE	STEM O.D.	QUANTITY / PACK	PRICE
LG-10246-100	0-3mm	8mm	1	\$109.64
LG-10246-102	0-6mm	10mm	1	\$162.02
LG-10246-104	0-10mm	13mm	1	\$172.91